

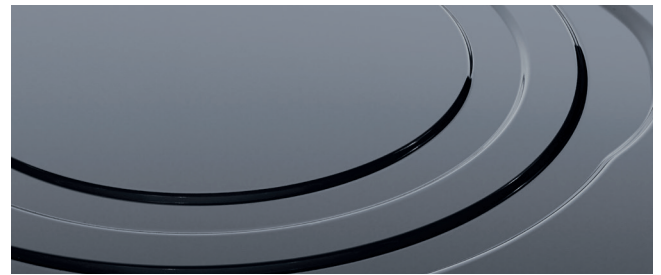
SFA4395MCX

Smeg 60cm Classic Compact Speed Oven



## SPEED OVEN

A new addition to technologies for the kitchen, Smeg's Speed Oven is primarily a multifunction oven which is supplemented with the innovative microwave technology for faster cooking times. Smeg's Speed Oven cooks approximately 30% faster than conventional cooking, giving back today's most valuable commodity – time.



## EVER CLEAN ENAMEL

The superior quality of Smeg's patented Ever Clean enamel, which is highly durable and easy to clean, is the result of nearly 70 years of enameling expertise; ensuring long-life performance of every Smeg oven.



## SMARTSENSE PLUS

Smeg's SmartSense Plus provides a foolproof, step-by-step guide to cooking. The large TFT colour display is legible without reading glasses, and so simple to follow. SmartSense Plus also has 50 guided cooking programs and you can also save 10 of your most-used favourites.



## SOFT CLOSE DOOR

The new soft-close mechanism on Smeg's oven doors ensures a two-stage soft and quiet close. Smeg's quality hinges also ensure the door will not drop on opening, an intrinsic safety feature.

EAN

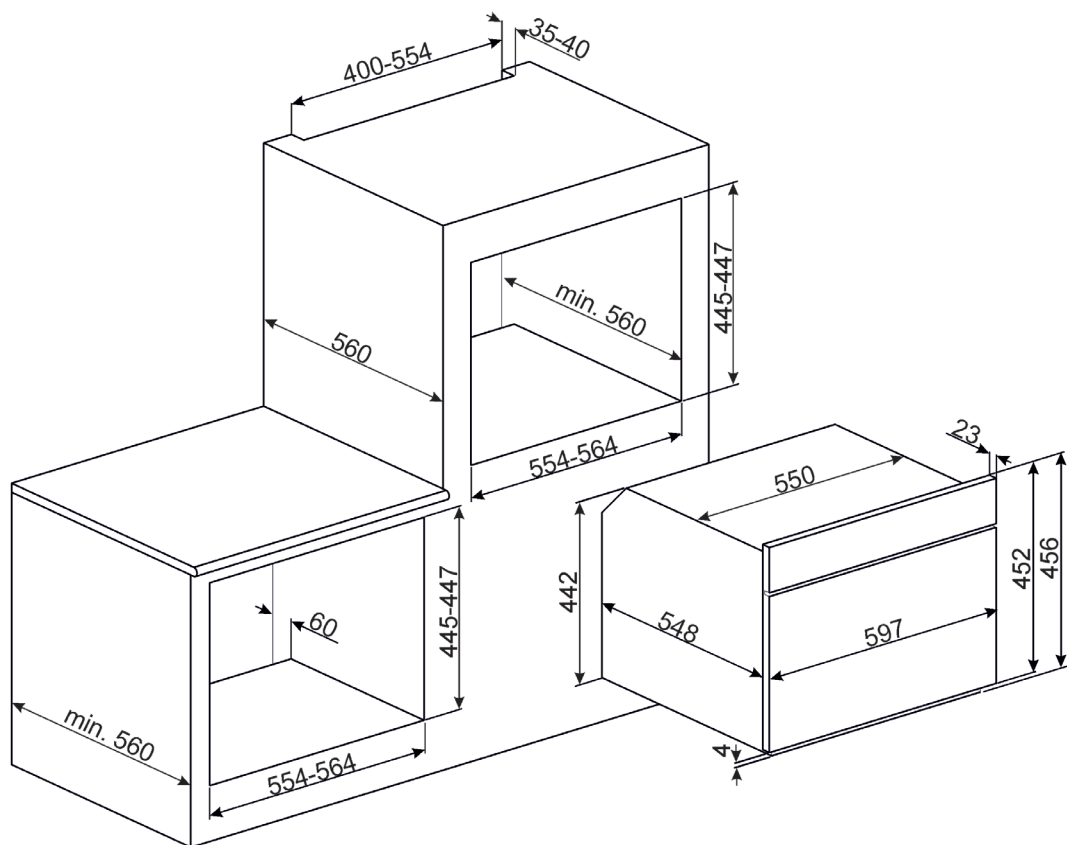
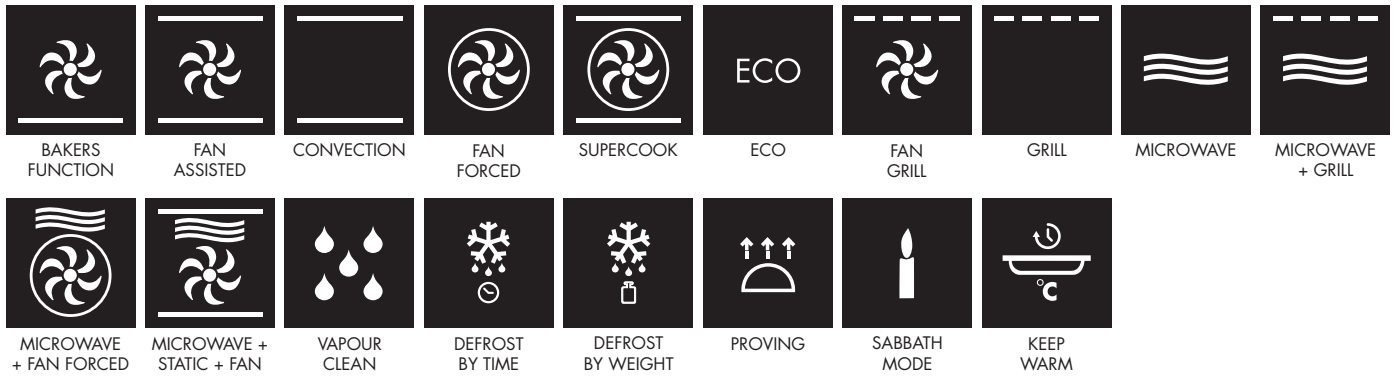
8017709204532

|                      |  |
|----------------------|--|
| Finish               | Fingerprint proof stainless steel<br>Eclipse high visibility black glass                         |
| Total functions      | 18 + 50 SmartSense Plus auto menus<br>incl. Sabbath mode, defrost, proving and keep warm         |
| Display              | TFT  |
| Capacity             | 50L  |
| Cooking levels       | 3  |
| Microwave power      | 1000W  |
| Thermostat           | 50 - 250°C   |
| Installation         | Flush, underbench or wallmount   |
| Programmability      | Fully programmable   |
| Cleaning             | Smeg Ever Clean enamel, Vapour Clean   |
| Lighting             | 2 x 40 Watt halogen  |
| Supplied accessories | 1 x Chrome grill insert<br>1 x Chrome shelves<br>1 x Glass tray<br>1 x Partial telescopic guides |
| Optional accessories | GT1P-1 - Partial telescopic guides<br>GT1T-1 - Total telescopic guides                           |
| Safety               | Soft Close door, thermal protection system, child safety lock, controls lock                     |
| Dimensions           | 597mmW x 456mmH x 571mmD   |
| Power                | 220-240V, 50/60Hz<br>3100W<br>15A current  |
| Warranty             | Two years parts and labour   |

SFA4395MCX

Smeg 60cm Classic Compact Speed Oven

FUNCTIONS:



PLEASE NOTE: Drawings are not to scale. They are to assist only.

CABINERY: Cut-outs are indicated for proud mounting. For flush mounting please refer to a specialist installer.

VENTILATION: Ovens and compact ovens require a 35-40mm ventilation gap at the rear of the cabinet.