

N 90, BUILT-IN FULLY AUTOMATIC COFFEE MACHINE, FLEX DESIGN CL9TX11Y0



- ✓ Flex Design - coffee machine personalised with separately selectable side trims available in four colours. Optional Twist Pad Flex® sold separately.
- ✓ Premium 6.8" Full Touch TFT Display - Easy to use and intuitive interface for maximum comfort.
- ✓ Flex Control - whether twisting or turning, the high-resolution interface adapts to you.
- ✓ Home Connect – Discover smart home appliances that make everyday life easier
- ✓ Aroma Select - an aroma profile to match your defined palate.

Z9801TWAY0 Twist Pad Flex, Anthracite Grey, Z9801TWBY0 Twist Pad Flex, Brushed Bronze, Z9801TWDY0 Twist Pad Flex, Deep Black, Z9801TWMY0 Twist Pad Flex, Metallic Silver, ZC045AY0 FlexDesign AG 45 KVA Coffee, ZC045BY0 FlexDesign BB 45 KVA Coffee, ZC045DY0 FlexDesign DB 45 KVA Coffee, ZC045MY0 FlexDesign MS 45 KVA Coffee, ZC060AY0 SC FlexDesign AG 60 WD14 + Coffee, ZC060BY0 SC FlexDesign BB 60 WD14 + Coffee, ZC060DY0 SC FlexDesign DB 60 WD14 + Coffee, ZC060MY0 SC FlexDesign MS 60 WD14 + Coffee, ZC060TY0 SC FlexDesign technical KVA Coffee + WD

Z9801TWAY0 Twist Pad Flex, Anthracite Grey, Z9801TWBY0 Twist Pad Flex, Brushed Bronze, Z9801TWDY0 Twist Pad Flex, Deep Black, Z9801TWMY0 Twist Pad Flex, Metallic Silver, ZC045AY0 FlexDesign AG 45 KVA Coffee, ZC045BY0 FlexDesign BB 45 KVA Coffee, ZC045DY0 FlexDesign DB 45 KVA Coffee, ZC045MY0 FlexDesign MS 45 KVA Coffee, ZC060AY0 SC FlexDesign AG 60 WD14 + Coffee, ZC060BY0 SC FlexDesign BB 60 WD14 + Coffee, ZC060DY0 SC FlexDesign DB 60 WD14 + Coffee, ZC060MY0 SC FlexDesign MS 60 WD14 + Coffee, ZC060TY0 SC FlexDesign technical KVA Coffee + WD

Built-in / Free-standing: Built-in
 Net weight: 19.0 kg
 Gross weight: 22.3 kg
 Dimensions (HxWxD): 455x594x385 mm
 Dimensions of the packed product (HxWxD): . 540 x 478 x 670 mm
 Min. required niche size for installation (HxWxD): .449 x 558 x 376 mm
 EAN code:4242004261742
 Fuse protection:10 A
 Voltage:220-240 V
 Frequency: 50/60 Hz
 Length electrical supply cord: 170.0 cm



N 90, BUILT-IN FULLY AUTOMATIC COFFEE
MACHINE, FLEX DESIGN
CL9TX11Y0

Flavour

- Up to 29 different coffee specialties (within appliance and Home Connect app)
- Warm milk, milk froth and hot water function
- aromaSelect – 3 different aroma profiles (mild-balanced-distinctive)
- Adjustable milk ratio for classic milk-mix beverages
- Intelligent strength adjustment – adaptive coffee management based on strength and size
- AromaDoubleShot – less bitterness in large beverages due to two brewing processes

Convenience

- Premium 6.8" Full Touch TFT Display
- Favorites: save up to 30 personalised beverages
- Automatic milk amount detection - suitable for included container, 1 litre milk carton or your individual container
- Coffee pot function
- Height adjustable beverage outlet (up to 15 cm (max) high glasses)
- OneTouch DoubleCup - brew two cups of coffee at the same time
- 2.4 l removable water tank

Performance

- SilentCeramDrive – high quality grinder made of wear-resistant ceramic
- Water pump with 19 bar pressure

Hygiene

- AutoMilkClean – automatic steam cleaning after every drink
- (combined Calc'nClean program available) – combined descaling and cleaning program for less effort
- Removable brewing unit – for easy and hygienic cleaning
- Dishwasher-proof: beverage outlet, drip tray and drip pans
- Automatic reminder for cleaning, descaling or water filter change

Home Connect

- Remote control – operate your appliance from everywhere
- Coffee Playlist – select several drinks in the app, prepared in your chosen order
- Software updates – always the newest software status
- Security: Security is of top priority at Home Connect. The Home Connect app has been tested and certified by TÜV IT. And the encrypted data transfer via Home Connect protocol protects against unauthorised access.

Extras

- Integrated 0.7L milk container
- 400 g bean container with aroma protection lid
- Illuminated coffee outlet, stage and interior
- Adjustable grinding degree (multi-level)
- Child lock

Accessories

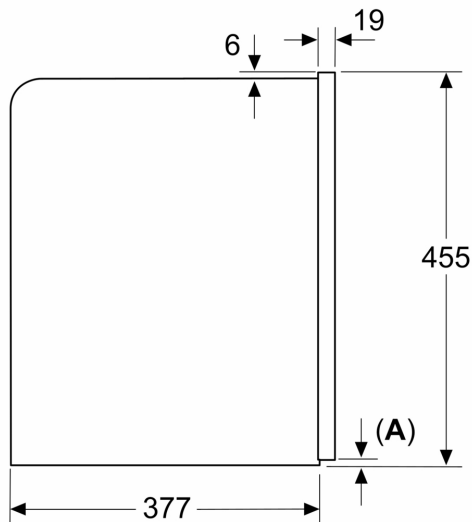
- Included accessories: 1 x assembly screws, 1 x milk container, 1 x welcome-Box, 1 x test strip, 1 x connection hose for milk frother, 1 x

milk pipe

- Separately available accessories: cleaning tablets (00311969), descaling tablets (00311974), BRITA Intenza water filter (17000705, 17000706), care set for fully-automatic espresso makers (00312014)

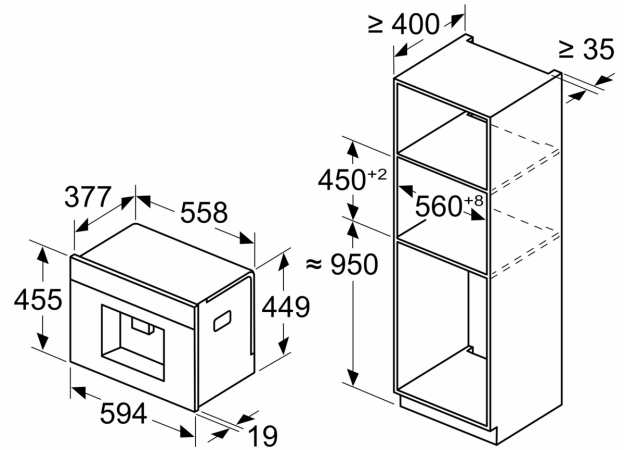
N 90, BUILT-IN FULLY AUTOMATIC COFFEE
MACHINE, FLEX DESIGN
CL9TX11Y0

Measurements in mm



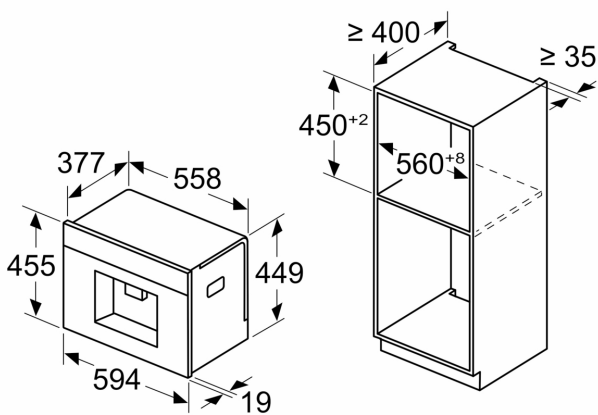
A: 7.5 mm

Measurements in mm



Bean and water containers are removed from the front
Recommended installation height
950–1450 mm

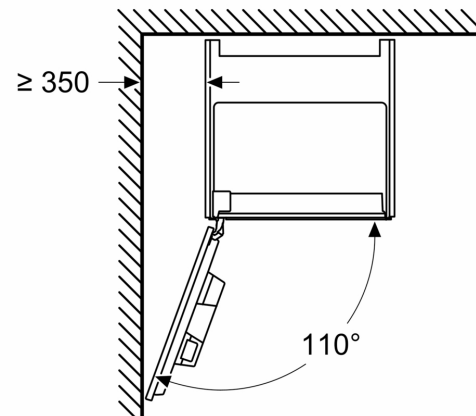
Measurements in mm



Bean and water containers are removed from the front
Recommended installation height
950–1450 mm

Measurements in mm

Left corner installation



If using the 92° hinge limiter, the min. distance to the wall is only 100 mm

Measurements in mm

