

TECHNICAL DATASHEET

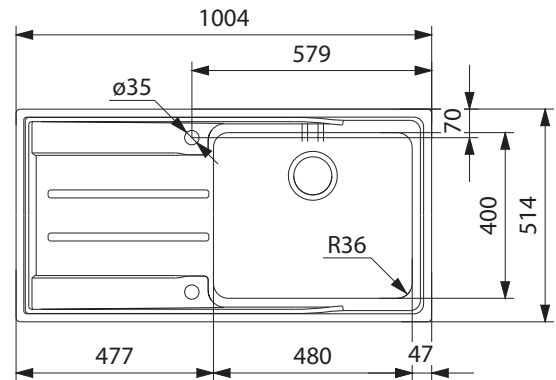
ATON ANX 211 LHD

Product Category	Sinks
Finish	Stainless Steel
Installation	Inset/Flushmount
Range	ATON
Model	ANX 211 LHD
Warranty	50 Years



PRODUCT INFORMATION

Article Number	127.0283.678
Dimensions	1004 x 514mm
Cabinet Base	600mm
Bowl Size	480 x 400 x 190mm/36L
Bowl Radius	36mm
Cut-Out Size	Inset: 995 x 506mm, cr=20 Flushmount: utilise DXF file
Cut-Out Template	Yes
Waste Outlet	Semi Integrated Waste
Overflow	Yes
Tap Holes	Yes (cut out 35mm)
Remote Waste	Yes
Opposite Configuration	127.0283.676
Accessories	1 2 3 4 5



1 ACCESSORIES AVAILABLE **1** ACCESSORIES INCLUDED

ACCESSORIES

1		2		3		4		5	
RM 42	Rollamat	CB 104	Chopping Board	SB 112	Strainer Bowl	DB 448	Drainer Basket	CR 113	Champagne Flute Rack

FEATURES & BENEFITS

 Food Preparation Centre	 Stainless Steel	 Remote-Operated Waste	 Waste to Rear of Main Bowl	 Franke Hidden Overflow	 Sound Deadening Pads	 Flushmount Fit
--	---	---	--	--	--	--

LAST UPDATED: 14 JAN 2016

Make it wonderful

FRANKE