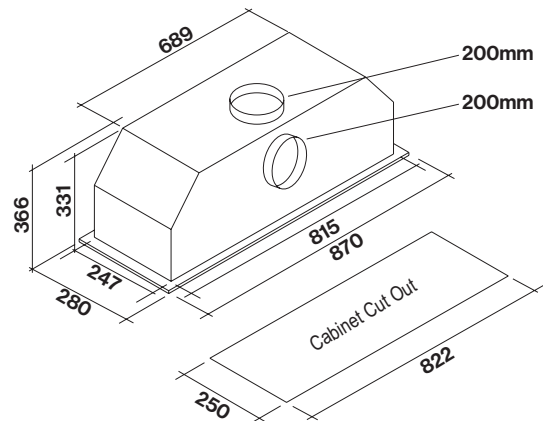




Product Features

<b>Motor Type</b>	Off Board Motor
<b>Dimensions</b>	870 x 280 x 366mm Suits 50cm-100cm cooking surfaces
<b>Filtration Type</b>	Baffle Filters x 3
<b>Lighting</b>	Adaptive Dynamic LED Strip
<b>Finish</b>	Surgical grade 304 stainless steel
<b>Frame</b>	Flushmount
<b>Controls</b>	Slim profile touch control (optional remote controller)
<b>Speed Settings</b>	3 speed + Boost
<b>Timer Function</b>	15 min Auto Shut-Off
<b>Ducting</b>	200mm Circular Outlet + 5m of flexible ducting supplied
<b>Installation Info</b>	Quick Install Clips
<b>Other</b>	N/A

Dimensioned Drawings



Model Code	Motor Output	Motor Solution
FP3ML90S2-IR765	765m <sup>3</sup> /hr	In Roof Motor
FP3ML90S2-ER765	765m <sup>3</sup> /hr	External Roof Motor
FP3ML90S2-EW765	765m <sup>3</sup> /hr	External Wall Motor
FP3ML90S2-IR1140	1140m <sup>3</sup> /hr	In Roof Motor
FP3ML90S2-ER1140	1140m <sup>3</sup> /hr	External Roof Motor
FP3ML90S2-EW1140	1140m <sup>3</sup> /hr	External Wall Motor