



BOSCH

Register your
new device on
MyBosch now and
get free benefits:
[bosch-home.com/
welcome](https://bosch-home.com/welcome)



Fridge-freezer

KGN..

en	Instructions for use	Fridge-freezer	5
el	Οδηγίες χρήσης	Ψυγειοκαταψύκτης	24
uk	Інструкція з експлуатації	Холодильно- морозильна комбінація	46
hu	Használati útmutató	Hűtő- fagyasztó kombináció	67
sl	Navodila za uporabo	Hladilno-zamrzovalni aparat	86

en Table of contents

Safety and warning information	5	Max. freezing capacity	15
Information concerning disposal	8	Freezing and storing food	15
Scope of delivery	8	Freezing fresh food	16
Installation location	9	Super freezing	17
Observe ambient temperature and ventilation	9	Thawing frozen food	17
Connecting the appliance	10	Interior fittings	18
Getting to know your appliance	10	Sticker "OK"	18
Switching on the appliance	11	Switching off and disconnecting the appliance	19
Setting the temperature	12	Cleaning the appliance	19
eco	12	Light (LED)	20
Alarm functions	12	Tips for saving energy	20
Usable capacity	13	Operating noises	20
Refrigerator compartment	13	Eliminating minor faults yourself	21
Super cooling	15	Customer service	23
Freezer compartment	15		

el Πίνακας περιεχομένων

Υποδείξεις ασφαλείας και προειδοποιητικές υποδείξεις	24	Μέγ. απόδοση κατάψυξης	36
Υποδείξεις απόσυρσης	27	Κατάψυξη και αποθήκευση	36
Συνοδεύουν τη συσκευή	28	Κατάψυξη νωπών τροφίμων	37
Τόπος τοποθέτησης	29	Υπερκατάψυξη	38
Προσέχετε τη θερμοκρασία και τον αερισμό του χώρου	29	Απόψυξη κατεψυγμένων τροφίμων ...	38
Σύνδεση της συσκευής	30	Εξοπλισμός	39
Γνωρίστε τη συσκευή	31	Αυτοκόλλητο "OK"	40
Ενεργοποίηση της συσκευής	32	Σβήσιμο και μακροχρόνια θέση της συσκευής εκτός λειτουργίας	40
Ρύθμιση θερμοκρασίας	32	Καθαρισμός της συσκευής	40
eco	33	Φωτισμός (LED)	41
Λειτουργίες συναγερμού	33	Έτσι μπορείτε να εξοικονομήσετε ενέργεια	41
Ωφέλιμο περιεχόμενο	33	Θόρυβοι λειτουργίας	42
Χώρος συντήρησης	34	Πώς θα διορθώσετε μόνες/-οι σας μικροβλάβες	43
Υπερψύξη	35	Υπηρεσία εξυπηρέτησης πελατών	45
Χώρος κατάψυξης	35		

uk Зміст

Правила техніки безпеки	46	Заморожування та зберігання продуктів	58
Вказівки з утилізації	49	Заморожування свіжих продуктів ..	59
Комплект поставки	50	Функція швидкого заморожування SuperFreezing	60
Місце встановлення	51	Розморожування продуктів	60
Температура у приміщенні та вентиляція	51	Устаткування	61
Підключення приладу	52	Наклейка «OK»	62
Знайомство з приладом	53	Вимкнення та зупинка роботи приладу	62
Увімкнення приладу	54	Чищення приладу	62
Установлення температури	54	Світлодіодне освітлення	63
eco	55	Заощадження електроенергії	63
Попереджувальна сигналізація	55	Шуми під час роботи	64
Корисний об'єм	56	Самостійне усунення незначних несправностей	64
Холодильна камера	56	Сервісна служба	66
Суперохолодження	57		
Морозильна камера	58		
Максимальна заморожувальна здатність	58		

hu Tartalomjegyzék

Biztonsági útmutatások és figyelmeztetések	67	agyasztótér	77
Hulladék-ártalmatlanítási útmutatások	70	Maximális fagyasztóteljesítmény	77
Csomagolás tartalma	71	Fagyasztás és tárolás	78
Felállítási hely	71	Friss élelmiszerek lefagyasztása	78
Vegye figyelembe a szobahőmérsékletet és a szellőztetést	71	Szupererős fagyasztás	79
A készülék csatlakoztatása	72	A mélyhűtött termékek felolvasztása	80
Ismerje meg a készüléket	73	Felszerelés	80
A készülék bekapcsolása	74	„OK” matrica	81
A hőmérséklet beállítása	74	A készülék kikapcsolása és leállítása	81
eco	75	A készülék tisztítása	81
Alarm-funkciók	75	LED világítás	82
Hasznos térfogat	75	Energiatakarékosság	82
A hűtőtér	76	Működési hangjelenségek	82
Szupererős hűtés	77	Kisebb zavarok önálló kiküszöbölése	83
		Vevőszolgálat	85

sl Kazalo vsebine

Varnostna navodila in opozorila	86	Največja kapaciteta zamrzovanja	96
Navodila za odlaganje dotrajanega aparata	89	Zamrzovanje in shranjevanje	96
Obseg dobave	89	Zamrzovanje svežih živil	97
Mesto postavitve	90	Super zamrzovanje	98
Bodite pozorni na temperaturo prostora in prezračevanje	90	Odmrznite zamrznjeno živilo	98
Priklop aparata	91	Oprema	98
Spoznavajte vaš aparat	91	Nalepka "OK"	99
Vklop aparata	92	Izklop aparata in izločitev iz uporabe	99
Nastavitev temperature	93	Čiščenje aparata	100
eco	93	Osvetlitev (LED)	100
Funkcije alarma	93	Prihranek energije	101
Koristna prostornina	94	Šumi, ki se lahko pojavijo med obratovanjem	101
Hladilni prostor	94	Samostojno odpravljanje manjših motenj.	102
Super hlajenje	95	Servisna služba	104
Zamrzovalni prostor	96		

Safety and warning information

Before you switch ON the appliance

Please read the operating and installation instructions carefully! They contain important information on how to install, use and maintain the appliance. The manufacturer is not liable if you fail to comply with the instructions and warnings. Retain all documents for subsequent use or for the next owner.

Technical safety



Fire hazard

The tubes of the refrigeration circuit convey a small quantity of an environmentally friendly but flammable refrigerant (R600a). It does not damage the ozone layer and does not increase the greenhouse effect. If refrigerant escapes, it may injure your eyes or ignite.

If damage has occurred

- Keep naked flames and/or ignition sources away from the appliance,
- thoroughly ventilate the room for several minutes,

- switch off the appliance and pull out the mains plug,
- inform customer service.

The more refrigerant an appliance contains, the larger the room must be in which the appliance is situated. Leaking refrigerant can form a flammable gas-air mixture in rooms which are too small. The room must be at least 1 m³ per 8 g of refrigerant. The amount of refrigerant in your appliance is indicated on the rating plate inside the appliance.

When installing the appliance, ensure that the mains cable is not trapped or damaged.

If the power cord of this appliance is damaged, it must be replaced by the manufacturer, Customer Service or a similarly qualified person. Improper installations and repairs may put the user at considerable risk.

Repairs may be performed by the manufacturer, customer service or a similarly qualified person only.

Only original parts supplied by the manufacturer may be used. The manufacturer guarantees that only these parts satisfy the safety requirements.

Do not use multiple sockets, extension leads or adapters.



Fire hazard

Portable multiple outlets or power supplies may overheat, causing a fire.

Never leave portable multiple outlets or portable power supplies behind the appliance.

Important information when using the appliance

- Never use electrical appliances inside the appliance (e.g. heaters, electric ice makers, etc.). Risk of explosion!
- Never defrost or clean the appliance with a steam cleaner! The steam may penetrate electrical parts and cause a short-circuit. Risk of electric shock!
- Do not use additional means to accelerate the defrosting process other than those recommended by the manufacturer. Risk of explosion!
- Do not use pointed or sharp-edged implements to remove frost or layers of ice. You might damage the refrigerant tubes. Leaking refrigerant may cause eye injuries or ignite.
- Do not store products which contain flammable propellant (e.g. spray cans) or explosive substances in the appliance. Risk of explosion!
- Do not stand on or lean heavily against the base of the appliance, drawers, doors, etc.
- For defrosting and cleaning, pull out the mains plug or switch off the fuse. Do not pull out the mains plug by tugging on the power cord.
- Store high-percentage alcohol tightly sealed and in an upright position.
- Keep plastic parts and the door seal free of oil and grease. Otherwise, plastic parts and the door seal will become porous.
- Never cover or block the ventilation openings of the appliance.
- Do not store bottled or canned liquids (especially carbonated drinks) in the freezer compartment. Bottles and cans may burst!
- Never put frozen food straight from the freezer compartment in your mouth. Risk of low-temperature burns!
- Avoid prolonged touching of frozen food, ice or the evaporator pipes, etc. Risk of low-temperature burns!

■ **Avoiding placing children and vulnerable people at risk:**

At risk here are children, people who have limited physical, mental or sensory abilities, as well as people who have inadequate knowledge concerning safe operation of the appliance.

Check that children and vulnerable people have understood the hazards.

A person responsible for safety must supervise or instruct children and vulnerable people who are using the appliance.

Only children aged 8 years and above may use the appliance.

Supervise children while the appliance is being cleaned or maintained.

Never allow children to play with the appliance.

Children in the household

- Keep children away from packaging and its parts. Danger of suffocation from folding cartons and plastic film!
- Do not allow children to play with the appliance!
- If the appliance features a lock: keep the key out of the reach of children!

General regulations

The appliance is suitable

- for refrigerating and freezing food,
- for making ice.

This appliance is intended for use in the home and the home environment.

The refrigeration circuit has been checked for leaks.

This appliance complies with the relevant safety regulations for electrical appliances and is fitted with noise suppression.

This appliance is intended for use up to a maximum height of 2000 metres above sea level.

Information concerning disposal

Disposal of packaging

The packaging protects your appliance from damage during transit. All utilised materials are environmentally safe and recyclable. Please help us by disposing of the packaging in an environmentally friendly manner.

Please ask your dealer or inquire at your local authority about current means of disposal.

Disposal of your old appliance

Old appliances are not worthless rubbish! Valuable raw materials can be reclaimed by recycling old appliances.



This appliance is labelled in accordance with European Directive 2012/19/EU concerning used electrical and electronic appliances (waste electrical and electronic equipment - WEEE). The guideline determines the framework for the return and recycling of used appliances as applicable throughout the EU.

Warning

Redundant appliances

1. Pull out the mains plug.
2. Cut off the power cord and discard with the mains plug.
3. Do not take out the trays and receptacles: children are therefore prevented from climbing in!
4. Do not allow children to play with the appliance once it has spent its useful life. Danger of suffocation!

Refrigerators contain refrigerant and gases in the insulation. Refrigerant and gases must be disposed of professionally. Ensure that tubing of the refrigerant circuit is not damaged prior to proper disposal.

Scope of delivery

After unpacking all parts, check for any damage in transit.

If you have any complaints, please contact the dealer from whom you purchased the appliance or our customer service.

The delivery consists of the following parts:

- Free-standing appliance
- Interior fittings (depending on model)
- Bag containing installation materials
- Operating instructions
- Installation manual
- Customer service booklet
- Warranty enclosure
- Information on the energy consumption and noises

Installation location

A dry, well ventilated room is suitable as an installation location. The installation location should not be exposed to direct sunlight and not placed near a heat source, e.g. a cooker, radiator, etc. If installation next to a heat source is unavoidable, use a suitable insulating plate or observe the following minimum distances from the heat source:

- 3 cm to electric or gas cookers.
- 30 cm to an oil or coal-fired cooker.

The floor of the installation location must not give way; if required, reinforce floor. If the floor is uneven, compensate with supports.

Distance from wall

When installing the appliance, ensure that the door can be opened by 90°.

Observe ambient temperature and ventilation

Ambient temperature

The appliance is designed for a specific climate class. Depending on the climate class, the appliance can be operated at the following temperatures.

The climate class can be found on the rating plate. Fig. 13

Climate class	Permitted ambient temperature
SN	+10 °C to 32 °C
N	+16 °C to 32 °C
ST	+16 °C to 38 °C
T	+16 °C to 43 °C

Note

The appliance is fully functional within the room temperature limits of the indicated climatic class. If an appliance of climatic class SN is operated at colder room temperatures, the appliance will not be damaged up to a temperature of +5 °C.

Ventilation

Fig. 3

The air on the rear panel and on the side panels of the appliance heats up. Conduction of the heated air must not be obstructed. Otherwise, the refrigerating unit must work harder. This increases power consumption. Therefore: Never cover or block the ventilation openings!

Connecting the appliance

After installing the appliance, wait at least 1 hour until the appliance is switched on. During transportation the oil in the compressor may have flowed into the refrigeration system.

Before switching on the appliance for the first time, clean the interior of the appliance (see chapter "Cleaning the appliance").

Electrical connection

The socket must be near the appliance and also freely accessible following installation of the appliance.

Warning

Risk of electric shock!

If the length of the mains cable is inadequate, never use multiple sockets or extension leads. Instead, please contact Customer Service for alternatives.

The appliance complies with protection class I. Connect the appliance to 220–240 V/50 Hz alternating current via a correctly installed socket with protective conductor. The socket must be protected by a 10 A to 16 A fuse.

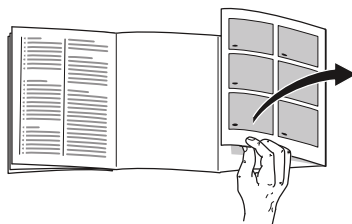
For appliances operated in non-European countries, check whether the indicated voltage and current type match the values of your electricity supply. This information can be found on the rating plate, Fig. **13**.

Warning

Never connect the appliance to electronic energy saver plugs.

Our appliances can be used with mains and sine-controlled inverters. Mains-controlled inverters are used for photovoltaic systems which are connected directly to the national grid. Sine-controlled inverters must be used for isolated applications (e.g. on ships or in mountain lodges) which are not connected directly to the national grid.

Getting to know your appliance



Please fold out the illustrated last page. These operating instructions refer to several models.

The features of the models may vary.

The diagrams may differ.

Fig. **1**

* Not all models.

- A Refrigerator compartment
- B Freezer compartment

- 1–9 Controls
- 10 Shelf for small bottles
- 11 Shelf for large bottles
- 12 Light

- 13* Bottle shelf
- 14 Cold storage compartment
- 15 Vegetable container with humidity control
- 16 Frozen food container (small)

Controls

Fig. 2

- 1 **Display alarm**
This lights up if the appliance becomes too warm.
- 2 **Refrigerator compartment temperature selection button**
The button sets the temperature in the refrigerator compartment.
- 3 **“super” display**
Illuminates, if the super cooling is in operation.
- 4 **Temperature display refrigerator compartment**
The numbers correspond to the set refrigerator compartment temperatures in °C.
- 5 **Eco indicator**
This lights up when eco mode is switched on in the cooling compartment.
- 6 **Temperature selection button freezer compartment**
The button sets the temperature in the freezer compartment.
- 7 **“super” display (freezer compartment)**
Illuminates when super freezing is on.
- 8 **Temperature display freezer compartment**
The numbers correspond to the set freezer compartment temperatures in °C.

- 9 **Eco indicator**
This lights up when eco mode is switched on in the freezer compartment.

Switching on the appliance

Fig. 2

1. Insert the plug in the socket.
2. A warning signal sounds. The temperature display 8 flashes.
3. Press the temperature setting button 2. The warning signal switches off.

When the freezer compartment has reached the set temperature, the temperature display 8 is lit.

The factory recommends the following settings:

- Refrigerator compartment: medium setting
- Freezer compartment: -18°C

Store delicate foods in the refrigerator compartment.

Operating tips

- When the appliance has been switched on, it may take several hours until the set temperatures have been reached.
- The fully automatic NoFrost system ensures that the freezer compartment remains free of ice. Defrosting is no longer required.
- The sides of the housing are sometimes heated slightly. This prevents condensation in the area of the door seal.

- If the freezer compartment door cannot be immediately re-opened after it has been closed, wait until the resulting low pressure has equalised.

Setting the temperature

Refrigerator compartment

The temperature can be set from +2 °C to +8 °C.

Keep pressing the temperature election button 2 until the required refrigerator compartment temperature is set.

The value last selected is saved. The set temperature is indicated on temperature display 4.

Note

To reach the selected temperature, open the ventilation openings to 1/3, Fig. **6**.

Freezer

The temperature can be set from -16 °C to -24 °C.

Keep pressing temperature setting button 6 until the required freezer compartment temperature is set.

The value last selected is saved. The set temperature is indicated on temperature display 8.

We recommend a factory setting of -18 °C in the freezer compartment.

eco

The eco function switches the appliance to energy-saving mode.

The appliance automatically sets the following temperatures:

- Refrigerator compartment: +8 °C
- Freezer compartment: -16 °C

Switching on eco

Keep pressing the temperature setting button 6 until the eco indicator is highlighted.

Alarm functions

Fig. **2**

Door alarm

The door alarm (continuous sound) switches on if the appliance door is open for longer than one minute. Close the door to switch off the warning signal.

Temperature alarm

The temperature alarm switches on if the freezer compartment is too warm and the frozen food is at risk of thawing.

Temperature display, Fig. **2**/8, is flashing.

The alarm may switch on without any risk to the frozen food:

- when the appliance is switched on,
- when large quantities of fresh food are placed in the appliance,
- if the freezer compartment door is open too long.

Note

Do not refreeze thawing or thawed food. Only ready meals (boiled or fried) may be refrozen.

No longer store the frozen produce for the max. storage period.

Switching off the alarm

Fig. 2

Press the temperature setting button 6 to switch off the warning signal.

Usable capacity

Information on the usable capacity can be found inside your appliance on the rating plate. Fig. 13

Fully utilising the freezer volume

To place the maximum amount of frozen food in the freezer compartment, you can remove the containers. You can then stack the food directly on the shelf and on the floor of the freezer compartment.

Note

Avoid contact between food and rear panel. Otherwise the air circulation will be impaired.

Food or packaging could freeze to the rear panel.

Removing the fittings

Pull out the frozen food container all the way, lift at the front and remove.

Fig. 9

Refrigerator compartment

The refrigerator compartment is the ideal storage location for meat, sausage, fish, dairy products, eggs, ready meals and pastries.

Storing food

- Store fresh, undamaged food. The quality and freshness will then be retained for longer.
- In the case of ready-made products and bottled goods, observe the best-before date or use-by date specified by the manufacturer.
- To retain aroma, colour and freshness, pack or cover food well before placing in the appliance. This will prevent the transfer of flavours and the discolouration of plastic parts in the refrigerator compartment.
- Allow warm food and drinks to cool down before placing in the appliance.

Note

Do not block air outlet openings with food, otherwise the air circulation will be impaired. Food which is stored directly in front of the air outlet openings may be frozen by the cold air flowing out.

Note the chill zones in the refrigerator compartment

The air circulation in the refrigerator compartment creates different chill zones:

- The coldest zones are in front of the air outlet openings and in the chill compartment, Fig. **1**/14.

Note

Store perishable food (e.g. fish, sausage, meat) in the coldest zones.

- Warmest zone is at the very top of the door.

Note

Store e.g. hard cheese and butter in the warmest zone. The aroma of hard cheese can then continue to develop and butter remains spreadable.

Vegetable container with humidity control

Fig. **7**

To create the optimum storage climate for fruit and vegetables, you can set the humidity level in the vegetable container:

- Mainly vegetables as well as for a mixed or small load – high air humidity
- Mainly fruit as well as for a large load – low air humidity

Notes

- Fruit sensitive to cold (e.g. pineapple, banana, papaya and citrus fruit) and vegetables sensitive to cold (e.g. aubergines, cucumbers, zucchini, peppers, tomatoes and potatoes) should be stored outside the refrigerator at temperatures of approx. +8 °C to +12 °C for optimum preservation of quality and flavour.
- Condensation may form in the vegetable container depending on the type and quantity of products stored. Remove condensation with a dry cloth and adjust air humidity in the vegetable container with the humidity controller.

Cold storage compartment

Fig. **6**

The cold storage compartment has lower temperatures than the refrigerator compartment. Even temperatures below 0 °C may occur.

Ideal for storing fish, meat and sausage. Not suitable for lettuce and vegetables and produce sensitive to cold.

The temperature of the chill compartments can be varied using the ventilation opening. Push temperature controller upwards to reduce the temperature. Push temperature controller downwards to increase the temperature. Fig. **6**

Super cooling

Super cooling sets the refrigerator temperature to the coldest temperature setting for approx. 15 hours. Then the appliance automatically switches to the temperature set prior to super cooling mode.

Switch on super cooling mode, e.g.

- before placing large quantities of food in the refrigerator compartment.
- for the fast cooling of drinks.

Note

When super cooling is switched on, increased operating noises may occur.

Switching on and off

Fig. 2

Keep pressing the temperature setting button 2 until the super indicator 3 is lit.

Freezer compartment

Use the freezer compartment

- To store deep-frozen food.
- To make ice cubes.
- To freeze food.

Note

Ensure that the freezer compartment door has been closed properly. If the door is open, the frozen food will thaw. The freezer compartment will become covered in thick ice. Also: waste of energy due to high power consumption!

Max. freezing capacity

Information about the max. freezing capacity within 24 hours can be found on the rating plate. Fig. 13

Prerequisites for max. freezing capacity

- Switch on super freezing before placing fresh products in the compartment (see chapter entitled “Super freezing”).
- Remove containers; stack food directly on the shelf and on the floor of the freezer compartment.
- Freeze large quantities of food preferably in the very top compartment where food freezes particularly quickly and therefore also gently.

Freezing and storing food

Purchasing frozen food

- Packaging must not be damaged.
- Use by the “use by” date.
- Temperature in the supermarket freezer must be -18 °C or lower.
- If possible, transport deep-frozen food in an insulated bag and place quickly in the freezer compartment.

Note when loading products

- Preferably freeze large quantities of food in the top compartment, where food freezes particularly quickly and therefore also gently.
- Place the food over the whole area of the compartments or the frozen food containers.

Note

Food which is already frozen must not come into contact with the food which is to be frozen. If required, move the frozen food to other frozen food containers.

Storing frozen food

Insert frozen food container all the way to ensure unrestricted air circulation.

Freezing fresh food

Freeze fresh and undamaged food only.

To retain the best possible nutritional value, flavour and colour, vegetables should be blanched before freezing. Aubergines, peppers, zucchini and asparagus do not require blanching.

Literature on freezing and blanching can be found in bookshops.

Note

Keep food which is to be frozen away from food which is already frozen.

- The following foods are suitable for freezing:
Cakes and pastries, fish and seafood, meat, game, poultry, vegetables, fruit, herbs, eggs without shells, dairy products such as cheese, butter and quark, ready meals and leftovers such as soups, stews, cooked meat and fish, potato dishes, soufflés and desserts.
- The following foods are not suitable for freezing:
Types of vegetables, which are usually consumed raw, such as lettuce or radishes, eggs in shells, grapes, whole apples, pears and peaches, hard-boiled eggs, yoghurt, soured milk, sour cream, crème fraîche and mayonnaise.

Packing frozen food

To prevent food from losing its flavour or drying out, place in airtight containers.

1. Place food in packaging.
2. Remove air.
3. Seal the wrapping.
4. Label packaging with contents and date of freezing.

Suitable packaging:

Cling wrap, tubular film made of polyethylene, aluminium foil, freezer containers.

These products are available from specialist outlets.

Unsuitable packaging:

Wrapping paper, greaseproof paper, cellophane, bin liners and used shopping bags.

Items suitable for sealing packaged food:

Rubber bands, plastic clips, string, cold-resistant adhesive tape, etc.

Bags and tubular film made of polyethylene (PE) can be sealed with a film heat sealer.

Shelf life of frozen food

Storage duration depends on the type of food.

At a temperature of -18 °C:

- Fish, sausage, ready meals and cakes and pastries:
up to 6 months
- Cheese, poultry and meat:
up to 8 months
- Vegetables and fruit:
up to 12 months

Super freezing

Food should be frozen solid as quickly as possible in order to retain vitamins, nutritional value, appearance and flavour.

Several hours before placing fresh food in the freezer compartment, switch on super freezing to prevent an unwanted temperature rise.

As a rule, 4–6 hours is adequate.

This appliance runs constantly and the freezer compartment drops to a very low temperature.

If the max. freezing capacity is to be used, super freezing must be switched on for 24 hours before the fresh produce is placed in the freezer compartment.

Smaller quantities of food (up to 2 kg) can be frozen without “super freezing”.

Note

When super freezing is switched on, increased operating noises may occur.

Switching on and off

Fig. 2

Keep pressing the temperature selection button 6 until the Super display 7 is lit.

Super freezing automatically switches off after approx. 2½ days.

Thawing frozen food

Depending on the type and application, select one of the following options:

- at room temperature
- in the refrigerator
- in an electric oven, with/without fan assisted hot-air
- in the microwave



Caution

Do not refreeze thawing or thawed food. Only ready meals (boiled or fried) may be refrozen.

No longer store the frozen produce for the max. storage period.

Interior fittings

Shelves and containers

You can reposition the inner shelves and the containers in the door as required: pull shelf forwards, lower and swivel out to the side. Lift the container and remove.

Special features

(not all models)

Bottle shelf

Fig. 5

Bottles can be stored securely on the bottle shelf.

Ice cube tray

Fig. 11

1. Fill the ice cube tray $\frac{3}{4}$ full of drinking water and place in the freezer compartment.
2. If the ice tray is stuck to the freezer compartment, loosen with a blunt implement only (spoon-handle).
3. To loosen the ice cubes, twist the ice tray slightly or hold briefly under flowing water.

Freezer calendar

Fig. 10

To prevent the quality of the frozen food from deteriorating, do not exceed the storage duration. The figures next to the symbols indicate the permitted storage period of the produce in months. In the case of commercially available frozen food observe the date of manufacture or use-by date.

Ice block

If a power failure or malfunction occurs, the ice blocks can be used to slow down the thawing process. The longest storage time is obtained by placing the ice pack on the food in the top compartment.

The ice blocks can also be used to cool food temporarily, e. g. in a cold bag.

Breakfast set

Fig. 12

The containers for the breakfast set can be taken out and filled individually.

Sticker “OK”

(not all models)

The sticker “OK” lets you check whether the refrigerator compartment achieves the safe temperature ranges of +4 °C or colder recommended for food. If the sticker does not indicate “OK”, gradually reduce the temperature.

Note

When the appliance is switched on, it may take up to 12 hours until the set temperature is reached.



Correct setting

Switching off and disconnecting the appliance

Switching off the appliance

Pull out mains plug or switch off fuse.

Refrigerating unit switches off.

Disconnecting the appliance

If you do not use the appliance for a prolonged period:

1. Pull out the mains plug or switch off the fuse.
2. Clean the appliance.
3. Leave appliance doors open.

Cleaning the appliance

Caution

- Do not use abrasive, chloride or acidic cleaning agents or solvents.
- Do not use scouring or abrasive sponges.
The metallic surfaces could corrode.
- Never clean shelves and containers in the dishwasher.
The parts may become deformed!

The cleaning water must not get into the following areas:

- Controls
- Illumination
- Ventilation openings
- Openings in the separating plate

Proceed as follows:

1. Pull out the mains plug or switch off the fuse.
2. Take out the frozen food and store in a cool location. Place ice pack (if available) on the food.
3. The rinsing water must not drip into the controls, lighting, ventilation openings or the openings in the partition!
Clean the appliance with a soft cloth, lukewarm water and a little pH-neutral washing-up liquid.
4. Wipe the door seal with clear water only and then wipe dry thoroughly.
5. After cleaning reconnect the appliance.
6. Put the frozen food back into the appliance.

Interior fittings

All variable parts of the appliance can be taken out for cleaning.

Take out shelves in the door Fig. 4

Lift shelves upwards and take out.

Take out glass shelves

Pull the glass shelves forwards and take out.

Removing the container Fig. 8

Pull out the container all the way, lift at the front and remove.

Taking out the frozen food container Fig. 9

Pull out the frozen food container all the way, lift at the front and remove.

Light (LED)

Your appliance features a maintenance-free LED light.

These lights may be repaired by customer service or authorised technicians only.

Tips for saving energy

- Install the appliance in a dry, well ventilated room! The appliance should not be installed in direct sunlight or near a heat source (e.g. radiator, cooker).

If required, use an insulating plate.

- Allow warm food and drinks to cool down before placing in the appliance.
- Thaw frozen food in the refrigerator compartment and use the low temperature of the frozen food to cool refrigerated food.
- Open the appliance as briefly as possible.
- To achieve the lowest energy consumption, leave a small wall gap at the side.
- The arrangement of the fittings does not affect the energy rating of the appliance.

Operating noises

Quite normal noises

Note

When super freezing is switched on, increased operating noises may occur.

Droning

Motors are running (e.g. refrigerating units, fan).

Bubbling, humming or gurgling noises

Refrigerant is flowing through the tubing.

Clicking

Motor, switches or solenoid valves are switching on/off.

Cracking

Automatic defrosting is running.

Preventing noises

The appliance is not level

Please align the appliance with a spirit level. Use the height-adjustable feet or place packing underneath them.

The appliance is not free-standing

Please move the appliance away from adjacent units or appliances.

Containers or storage areas wobble or stick

Please check the removable parts and re-insert them correctly if required.

Bottles or receptacles are touching each other

Move the bottles or receptacles slightly away from each other.

Eliminating minor faults yourself

Before you call customer service:

Please check whether you can eliminate the fault yourself based on the following information.

Customer service will charge you for advice – even if the appliance is still under guarantee!

Fault	Possible cause	Remedial action
Temperature differs greatly from the set value.		<p>In some cases it is adequate to switch off the appliance for 5 minutes.</p> <p>If the temperature is too high wait a few hours and check whether the temperature has approached the set value.</p> <p>If the temperature is too low check the temperature again the next day.</p>
Warning signal sounds. Temperature display flashes. Fig. 2/8	Fault - the freezer compartment is too warm! Frozen food is at risk.	To switch off the warning signal, press the temperature setting button, Fig. 2/6.
	Appliance is open.	Close the appliance.
	Ventilation openings have been covered.	Ensure that there is adequate ventilation.
	Too much food was placed in the freezer at once.	Do not exceed max. freezing capacity.
		When the fault has been rectified, the temperature display stops flashing.
The temperature in the freezer compartment is too warm.	Appliance opened frequently.	Do not open the appliance unnecessarily.
	The ventilation openings have been covered.	Remove obstacles.
	Large quantities of fresh food are being frozen.	Do not exceed max. freezing capacity.
The light does not function.	The LED light is defective.	See chapter "Light (LED)" section.
	Appliance was open too long.	When the appliance is closed and opened, the light is on again.
	Light is switched off after approx. 10 min.	

Fault	Possible cause	Remedial action
Controls have reduced luminosity.	When the appliance is not used for some time, the display on the fascia switches to energy saving mode.	As soon as the appliance is again used, e.g. the door is opened, the display switches back to normal illumination.
Displays do not illuminate.	Power failure; the fuse has been switched off; the mains plug has not been inserted properly.	Connect mains plug. Check whether the power is on, check the fuses.
Appliance is not cooling, temperature display and light are lit.	Showroom mode is switched on.	<p>Hold down temperature selection button fig. 2/2 for 10 seconds until an acknowledgement signal sounds.</p> <p>After a short time check whether your appliance is cooling.</p>
Freezer compartment door was open for a long time; temperature is no longer reached.	The evaporator (refrigeration generator) in the NoFrost system is covered in thick ice and can no longer be defrosted fully automatically.	<p>To defrost the evaporator, remove the frozen food with the compartments, insulate well and store in a cool location.</p> <p>Switch off the appliance and move it away from the wall. Leave the appliance door open.</p> <p>After approx. 20 min. the condensation begins to run into the evaporation pan, at the rear of the appliance.</p> <p>To prevent the evaporation pan from overflowing in this case, mop up the condensation with a sponge.</p> <p>The evaporator is defrosted when the water stops running into the evaporation pan. Clean the interior. Switch the appliance back on again.</p>
Condensation accumulates on the surface of the appliance and on the shelves inside.	The effect is reinforced if ambient temperatures are warm and humid.	<p>Wipe away the water with a soft, dry cloth.</p> <ul style="list-style-type: none"> ■ Open the appliance as briefly as possible ■ Make sure that the appliance is always closed properly.

Customer service

Your local customer service can be found in the telephone directory or in the customer-service index. Please provide customer service with the appliance product number (E-Nr.) and production number (FD-Nr.).

This information can be found on the rating plate. Fig. **13**

To prevent unnecessary call-outs, please assist customer service by quoting the product and production numbers. This will save you additional costs.

Repair order and advice on faults

Contact information for all countries can be found on the enclosed customer service list.

GB	0344 892 8979	Calls charged at local or mobile rate.
IE	01450 2655	0.03 € per minute at peak. Off peak 0.0088 € per minute.
US	800 944 2904	toll-free

Υποδείξεις ασφαλείας και προειδοποιητικές υποδείξεις

Προτού θέσετε τη συσκευή σε λειτουργία

Διαβάστε με προσοχή τις οδηγίες χρήσης και τοποθέτησης! Αυτές περιέχουν σημαντικές πληροφορίες για την εγκατάσταση, τη χρήση και τη συντήρηση της συσκευής.

Ο κατασκευαστής δεν αναλαμβάνει καμία ευθύνη για τυχόν βλάβες, αν δεν προσεχθούν οι υποδείξεις και προειδοποιήσεις που δίνονται στις οδηγίες χρήσης. Φυλάξτε όλα τα έγγραφα αυτά για μετέπειτα χρήση και κάποιον τυχόν μετέπειτα χρήστη.

Τεχνική ασφάλεια



Κίνδυνος πυρκαγιάς

Στους σωλήνες του κυκλώματος ψύξης ρέει σε μικρή ποσότητα το φιλικό προς το περιβάλλον αλλά εύφλεκτο ψυκτικό μέσο (R600a). Αυτό δεν είναι επιβλαβές για το στρώμα του όζοντος και δεν ενισχύει το φαινόμενο του θερμοκηπίου. Εάν εξέλθει ψυκτικό μέσο, μπορεί να τραυματίσει τα μάτια ή να αναφλεγεί.

Σε περίπτωση ζημιάς:

- αποφεύγετε την ανοιχτή φλόγα ή πηγές ανάφλεξης,
- αερίζετε για μερικά λεπτά καλά τον χώρο,
- θέτετε τη συσκευή εκτός λειτουργίας και τραβάτε το φως από την πρίζα,
- Καλέστε την Υπηρεσία τεχνικής εξυπηρέτησης των πελατών μας.

Όσο περισσότερο ψυκτικό μέσο περιέχει μία συσκευή, τόσο μεγαλύτερος πρέπει να είναι ο χώρος, μέσα στον οποίο βρίσκεται αυτή. Σε πολύ μικρούς χώρους είναι δυνατό σε περίπτωση διαρροής ψυκτικού μέσου να σχηματιστεί εύφλεκτο μίγμα αερίου-αέρα. Ανά 8 g του ψυκτικού μέσου πρέπει να υπολογιστεί τουλάχιστον 1 m³ χώρου τοποθέτησης. Την ποσότητα του ψυκτικού μέσου της συσκευής σας θα την βρείτε στην πινακίδα τύπου στο εσωτερικό της συσκευής σας.

Κατά την τοποθέτηση της συσκευής προσέξτε, να μη μαγκωθεί ή να μην τσακιστεί το καλώδιο σύνδεσης.

Όταν το καλώδιο σύνδεσης αυτής της συσκευής υποστεί ζημιά, πρέπει να αντικατασταθεί από τον κατασκευαστή, την υπηρεσία εξυπηρέτησης πελατών ή από ένα αντίστοιχα ειδικευμένο άτομο. Οι μη ενδεδειγμένες εγκαταστάσεις και επισκευές μπορούν να θέσουν τον χρήστη σε σοβαρό κίνδυνο.

Οι επισκευές επιτρέπεται να εκτελούνται μόνον από τον κατασκευαστή, την υπηρεσία τεχνικής εξυπηρέτησης πελατών ή παρόμοια καταρτισμένο άτομο.

Επιτρέπεται να χρησιμοποιούνται μόνον γνήσια εξαρτήματα του κατασκευαστή. Μόνο για αυτά τα εξαρτήματα ο κατασκευαστής εγγυάται, ότι αυτά πληρούν τις απαιτήσεις ασφαλείας.

Μη χρησιμοποιείτε πολύμπριζα, καλώδια επέκτασης (παλαντέζες) ή προσαρμογείς.



Κίνδυνος πυρκαγιάς

Τα φορητά πολύμπριζα ή τα φορητά τροφοδοτικά μπορεί να υπερθερμανθούν και να προκαλέσουν πυρκαγιά. Μην τοποθετείτε κανένα φορητό πολύμπριζο ή φορητό τροφοδοτικό πίσω από την συσκευή.

Κατά τη χρήση

- Μη χρησιμοποιήσετε ποτέ ηλεκτρικές συσκευές εντός της συσκευής (π.χ. θερμάστρες, ηλεκτρικές παγομηχανές κτλ.). Κίνδυνος έκρηξης!
- Ποτέ μη χρησιμοποιείτε για την απόψυξη ή τον καθαρισμό της συσκευής ατμοκαθαριστή! Ο ατμός μπορεί να διεισδύσει σε ηλεκτρικά μέρη και να προκαλέσει βραχυκύκλωμα. Κίνδυνος ηλεκτροπληξίας!
- Εκτός από τις οδηγίες του κατασκευαστή μη λαμβάνετε κανένα πρόσθετο μέτρο, για να επιταχύνετε την απόψυξη. Κίνδυνος έκρηξης!
- Μη χρησιμοποιείτε μυτερά ή αιχμηρά αντικείμενα, για την αφαίρεση πάχνης και στρωμάτων πάγου. Θα μπορούσατε να προκαλέσετε έτσι ζημιά στους σωλήνες του ψυκτικού μέσου. Το εκτοξευόμενο προς τα έξω ψυκτικό μέσο μπορεί να αναφλεγεί ή να οδηγήσει σε τραυματισμούς των ματιών.
- Μην αποθηκεύετε μέσα στη συσκευή προϊόντα με εύφλεκτα προωθητικά αέρια (π.χ. κουτιά σπρέι) και εκρηκτικές ύλες. Κίνδυνος έκρηξης!

- Μη χρησιμοποιείτε τις βάσεις, τα συρταρωτά εξαρτήματα, τις πόρτες κτλ. ως σκαλοπάτια ή στηρίγματα.
- Για την απόψυξη και τον καθαρισμό τραβήξτε το φιν από την πρίζα ή κατεβάστε την ασφάλεια. Τραβήξτε από το φιν, όχι από το καλώδιο σύνδεσης στο δίκτυο.
- Οινοπνευματώδη ποτά με μεγάλο ποσοστό περιεκτικότητας σε αλκοόλη πρέπει να αποθηκεύονται μόνον καλά κλεισμένα και σε όρθια θέση.
- Μη λερώσετε με λάδι ή λίπος τα πλαστικά μέρη και την τσιμούχα της πόρτας. Διαφορετικά τα πλαστικά μέρη και η τσιμούχα της πόρτας γίνονται πορώδη.
- Μην καλύπτετε και μην τοποθετείτε ποτέ αντικείμενα μπροστά από τα ανοίγματα αερισμού και εξαερισμού της συσκευής.
- Μην αποθηκεύετε στον χώρο κατάψυξης υγρά σε φιάλες και κουτιά (ιδιαίτερα ανθρακούχα ποτά). Οι φιάλες και τα κουτιά μπορούν να σπάσουν!
- Μη βάζετε ποτέ στο στόμα σας κατεψυγμένα τρόφιμα αμέσως μετά την αφαίρεσή τους από τον χώρο κατάψυξης.
Κίνδυνος κρουοπαγημάτων!

■ **Αποφυγή κινδύνων για παιδιά και άτομα που βρίσκονται σε κίνδυνο:**

Σε κίνδυνο βρίσκονται τα παιδιά και άτομα με περιορισμένες σωματικές και φυσικές ικανότητες ή με περιορισμένη αντίληψη καθώς και άτομα, τα οποία δεν έχουν επαρκείς γνώσεις για τον ασφαλή χειρισμό της συσκευής.

Βεβαιωθείτε, ότι τα παιδιά και τα ευάλωτα άτομα έχουν κατανοήσει τους κινδύνους.

Κάποιο άτομο υπεύθυνο για την ασφάλεια πρέπει να επιβλέπει ή να καθοδηγεί στη συσκευή τα παιδιά και τα άτομα που βρίσκονται σε κίνδυνο.

Μόνο παιδιά άνω των 8 ετών επιτρέπεται να χρησιμοποιούν τη συσκευή.

Κατά τον καθαρισμό και τη συντήρηση τα παιδιά πρέπει να επιβλέπονται.

Μην αφήνετε ποτέ να παίζουν τα παιδιά με τη συσκευή.

- Αποφεύγετε να κρατάτε για μεγάλο διάστημα στα χέρια σας κατεψυγμένα τρόφιμα, πάγο ή τους σωλήνες του εξατμιστή κτλ.
Κίνδυνος κρουοπαγημάτων!

Παιδιά στο νοικοκυριό

- Μην αφήσετε να περιέλθουν στα χέρια παιδιών η συσκευασία και τα μέρη της. Υπάρχει κίνδυνος ασφυξίας από τα χαρτόνια που διπλώνουν και τα λεπτά πλαστικά φύλλα!
- Η συσκευή δεν είναι παιχνίδι για παιδιά!
- Σε συσκευή με κλειδαριά πόρτας: Φυλάτε το κλειδί σε μέρος απρόσιτο για τα παιδιά!

Γενικές διατάξεις

Η συσκευή είναι κατάλληλη

- για την ψύξη και την κατάψυξη τροφίμων,
- για την παρασκευή παγοκύβων (παγάκια).

Η παρούσα συσκευή προορίζεται για οικιακή χρήση στον ιδιωτικό τομέα και σε σπιτικό περιβάλλον.

Ο ψυκτικός κύκλος έχει υποβληθεί σε έλεγχο στεγανότητας.

Η παρούσα συσκευή ανταποκρίνεται στις σχετικές διατάξεις ασφαλείας για ηλεκτρικές συσκευές και φέρει αντιπαρασιτική προστασία.

Αυτή η συσκευή προορίζεται για χρήση μέχρι ένα μέγιστο ύψος 2.000 μέτρων πάνω από την επιφάνεια της θάλασσας.

Υποδείξεις απόσυρσης

Απόσυρση της συσκευασίας

Η συσκευασία προστατεύει τη συσκευή σας από ζημιές κατά τη μεταφορά. Όλα τα χρησιμοποιούμενα υλικά συσκευασίας είναι αβλαβή για το περιβάλλον και μπορούν να ξαναχρησιμοποιηθούν. Παρακαλούμε να συντελέσετε κι εσείς στην προστασία του περιβάλλοντος και ν' αποσύρετε τη συσκευασία με τρόπο αβλαβή για το περιβάλλον.

Για τους επίκαιρους τρόπους απόσυρσης παρακαλείσθε να ζητήσετε πληροφορίες από το ειδικό κατάστημα, από το οποίο αγοράσατε τη συσκευή ή από τη Δημοτική ή Κοινοτική Αρχή της περιοχής σας.

Απόσυρση της παλιάς συσκευής

Οι παλιές συσκευές δεν αποτελούν άχρηστα απορρίμματα! Με την απόσυρσή τους σύμφωνα με τους κανονισμούς για την προστασία του περιβάλλοντος μπορούν να επαναποκτηθούν πολύτιμες πρώτες ύλες.



Αυτή η συσκευή χαρακτηρίζεται σύμφωνα με την ευρωπαϊκή οδηγία 2012/19/ΕΕ περί ηλεκτρικών και ηλεκτρονικών συσκευών (waste electrical and electronic equipment - WEEE).

Η οδηγία προκαθορίζει τα πλαίσια για μια απόσυρση και αξιοποίηση των παλιών συσκευών με ισχύ σ' όλη την ΕΕ.

Προειδοποίηση

Σε παλιές συσκευές που δεν χρησιμοποιούνται πλέον

1. Τραβάτε το φιλς από την πρίζα.
2. Κόψτε το καλώδιο σύνδεσης στο δίκτυο του ρεύματος και απομακρύνετε το μαζί με το φιλς.
3. Μη βγάλετε τα ράφια και τα δοχεία, ώστε να μην μπορούν να μπουν εύκολα μέσα στη συσκευή τα παιδιά!
4. Μην αφήνετε τα παιδιά να παίζου με την άχρηστη παλιά συσκευή. Κίνδυνος ασφυξίας!

Οι ψυκτικές συσκευές περιέχουν ψυκτικά μέσα και στη μόνωση αέρια. Τα ψυκτικά μέσα και τα αέρια απαιτούν απόσυρση από τον ειδικό. Προσέξτε να μην καταστραφούν οι σωληνώσεις της κυκλοφορίας του ψυκτικού μέσου, μέχρι να παραληφθεί αυτή για την ανάλογη, αβλαβή για το περιβάλλον απόσυρση.

Συνοδεύουν τη συσκευή

Μετά το ξεπακετάρισμα ελέγξτε όλα τα μέρη για ενδεχόμενες ζημιές μεταφοράς.

Σε περίπτωση παραπόνων απευθυνθείτε στο κατάστημα, από το οποίο αγοράσατε τη συσκευή ή στην υπηρεσία τεχνικής εξυπηρέτησης των πελατών μας.

Η παράδοση αποτελείται από τα εξής μέρη:

- Ανεξάρτητη συσκευή
- Εξοπλισμός (ανάλογα με το μοντέλο)
- Σακούλα με υλικά τοποθέτησης
- Οδηγίες χρήσης
- Οδηγίες τοποθέτησης
- Φυλλάδιο με τις υπηρεσίες τεχνικής εξυπηρέτησης πελατών
- Επισυναπτόμενο φύλλο εγγύησης
- Πληροφορίες σχετικά με την κατανάλωση ενέργειας και τους θορύβους

Τόπος τοποθέτησης

Ως τόπος τοποθέτησης είναι κατάλληλος κάθε στεγνός, αεριζόμενος χώρος.

Ο χώρος τοποθέτησης δεν πρέπει να είναι άμεσα εκτεθειμένος στην ηλιακή ακτινοβολία ούτε να βρίσκεται κοντά σε πηγή θερμότητας όπως κουζίνα, καλοριφέρ κτλ. Αν η τοποθέτηση δίπλα σε πηγή θερμότητας είναι αναπόφευκτη, χρησιμοποιήστε κατάλληλη μονωτική πλάκα ή τηρήστε τις ακόλουθες ελάχιστες αποστάσεις από την πηγή θερμότητας:

- Από ηλεκτρικές κουζίνες και κουζίνες αερίου 3 cm.
- Από κουζίνες πετρελαίου ή κάρβουνου 30 cm.

Το δάπεδο στον τόπο τοποθέτησης δεν επιτρέπεται να υποχωρεί, ενισχύστε ενδεχομένως το δάπεδο. Αντισταθμίστε ενδεχόμενες ανωμαλίες του δαπέδου τοποθετώντας κάτω από τη συσκευή κατάλληλο υπόθεμα.

Απόσταση από τον τοίχο

Τοποθετήστε τη συσκευή έτσι, ώστε να εξασφαλίζεται μια γωνία ανοίγματος της πόρτας 90°.

Προσέχετε τη θερμοκρασία και τον αερισμό του χώρου

Θερμοκρασία δωματίου

Η συσκευή είναι κατασκευασμένη για συγκεκριμένη κατηγορία κλίματος. Ανάλογα με την κατηγορία κλίματος η συσκευή μπορεί να λειτουργήσει στις ακόλουθες θερμοκρασίες δωματίου.

Η κατηγορία κλίματος υπάρχει στην πινακίδα τύπου της συσκευής. Εικόνα **13**

Κατηγορία κλίματος	Επιτρεπτή θερμοκρασία χώρου
SN	+10 °C έως 32 °C
N	+16 °C έως 32 °C
ST	+16 °C έως 38 °C
T	+16 °C έως 43 °C

Υπόδειξη

Η συσκευή λειτουργεί σωστά εντός των ορίων θερμοκρασίας περιβάλλοντος της αναφερόμενης κλιματικής κλάσης. Αν κάποια συσκευή της κλιματικής κλάσης SN λειτουργεί σε χαμηλότερες θερμοκρασίες περιβάλλοντος, δεν μπορούν να αποκλειστούν ζημιές στη συσκευή μέχρι τη θερμοκρασία των +5 °C.

Αερισμός

Εικόνα **3**

Ο αέρας στο οπίσθιο και τα πλαϊνά τοιχώματα της συσκευής ζεσταίνεται. Ο ζεσταμένος αέρας πρέπει να μπορεί να διαφεύγει ελεύθερα. Διαφορετικά το ψυκτικό μηχανήμα πρέπει να λειτουργήσει με μεγαλύτερη ισχύ, πράγμα το οποίο αυξάνει την κατανάλωση του ρεύματος. Γι' αυτό: Μην καλύπτετε ποτέ ούτε να τοποθετείτε αντικείμενα μπροστά από τ' ανοίγματα αερισμού και εξαερισμού!

Σύνδεση της συσκευής

Μετά την τοποθέτηση της συσκευής περιμένετε τουλάχιστον 1 ώρα, μέχρι να θέσετε τη συσκευή σε λειτουργία. Κατά τη μεταφορά μπορεί να συμβεί να μεταβεί το λάδι, που περιέχεται στον συμπυκνωτή, στο ψυκτικό σύστημα.

Πριν τη θέση για πρώτη φορά σε λειτουργία καθαρίστε τον εσωτερικό χώρο της συσκευής (βλ. Καθαρισμός της συσκευής).

Ηλεκτρική σύνδεση

Η πρίζα πρέπει να βρίσκεται κοντά στη συσκευή και να είναι προσιτή επίσης μετά την εγκατάσταση της συσκευής.

Προειδοποίηση

Κίνδυνος ηλεκτροπληξίας!

Σε περίπτωση που το μήκος του καλωδίου σύνδεσης δεν επαρκεί, μη χρησιμοποιήσετε σε καμία περίπτωση πολύμπριζα ή καλώδια επέκτασης (παλαντζές). Σε αυτή την περίπτωση ελάτε σε επαφή με την υπηρεσία εξυπηρέτησης πελατών για εναλλακτικές λύσεις.

Η συσκευή αντιστοιχεί στην κατηγορία προστασίας I. Συνδέστε τη συσκευή σε εναλλασσόμενο ρεύμα 220–240 V/ 50 Hz μέσω μιας γειωμένης πρίζας, εγκατεστημένης σύμφωνα με τις προδιαγραφές. Η πρίζα πρέπει να είναι ασφαλισμένη με ασφάλεια 10 έως 16 A.

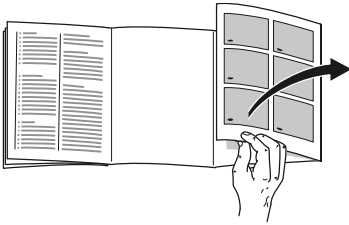
Σε συσκευές, οι οποίες λειτουργούν σε μη ευρωπαϊκές χώρες, ελέγξτε, εάν η τάση και το είδος ρεύματος που αναφέρονται, ταυτίζονται με τις τιμές του δικτύου σας. Αυτά τα στοιχεία θα τα βρείτε στην πινακίδα τύπου, εικόνα **13**.

Προειδοποίηση

Η συσκευή δεν επιτρέπεται σε καμία περίπτωση να συνδεθεί σε ηλεκτρονικές πρίζες εξοικονόμησης ενέργειας.

Για τη χρήση των συσκευών μας μπορούν να χρησιμοποιηθούν μετατροπείς δικτύου και μετατροπείς ημιτόνου. Μετατροπείς δικτύου χρησιμοποιούνται στις φωτοβολταϊκές εγκαταστάσεις, οι οποίες συνδέονται απευθείας στο δημόσιο ηλεκτρικό δίκτυο. Σε μεμονωμένες εφαρμογές (π.χ. σε πλοία ή ορεινά καταφύγια και κατοικίες), οι οποίες δεν έχουν σύνδεση με το δημόσιο δίκτυο του ρεύματος πρέπει να χρησιμοποιούνται μετατροπείς ημιτόνου.

Γνωρίστε τη συσκευή



Παρακαλούμε, ανοίξτε την τελευταία σελίδα με τις απεικονίσεις. Αυτές οι οδηγίες χρήσης ισχύουν για περισσότερα μοντέλα.

Ο εξοπλισμός των μοντέλων μπορεί να ποικίλλει.

Οι απεικονίσεις είναι δυνατόν να διαφέρουν.

Εικόνα 1

* όχι σε όλα τα μοντέλα

- A Χώρος συντήρησης
- B Χώρος κατάψυξης

- 1-9 Στοιχεία χειρισμού
- 10 Ράφι για μικρές φιάλες
- 11 Ράφι για μεγάλες φιάλες
- 12 Φωτισμός
- 13* Ράφι φιαλών
- 14 Χώρος ψυχρής αποθήκευσης
- 15 Δοχείο λαχανικών με ρυθμιστή υγρασίας
- 16 Δοχείο κατεψυγμένων τροφίμων (μικρό)

Στοιχεία χειρισμού

Εικόνα 2

- 1 **Ένδειξη alarm**
Τονίζεται, όταν η συσκευή είναι πολύ ζεστή.
- 2 **Πλήκτρο ρύθμισης θερμοκρασίας στον χώρο συντήρησης**
Με το πλήκτρο ρυθμίζεται η θερμοκρασία του χώρου συντήρησης.
- 3 **Ένδειξη super**
Ανάβει, όταν η Υπερψύξη βρίσκεται σε λειτουργία.
- 4 **Ένδειξη θερμοκρασίας χώρου συντήρησης**
Οι αριθμοί αντιστοιχούν στις ρυθμισμένες θερμοκρασίες του χώρου συντήρησης σε °C.
- 5 **Ένδειξη eco**
Τονίζεται, όταν η λειτουργία eco στο χώρο ψύξης είναι ενεργοποιημένη.
- 6 **Πλήκτρο ρύθμισης θερμοκρασίας χώρου κατάψυξης**
Με το πλήκτρο ρυθμίζεται η θερμοκρασία του χώρου κατάψυξης.
- 7 **Ένδειξη "super" (χώρος κατάψυξης)**
Αυτή ανάβει μόνον, όταν είναι ενεργοποιημένη η υπερκατάψυξη.
- 8 **Λυχνία ένδειξης χώρου κατάψυξης**
Οι αριθμοί στη φωτεινή ράβδο αντιστοιχούν σε θερμοκρασίες του χώρου κατάψυξης σε °C.
- 9 **Ένδειξη eco**
Τονίζεται, όταν η λειτουργία eco στο χώρο κατάψυξης είναι ενεργοποιημένη.

Ενεργοποίηση της συσκευής

Εικόνα 2

1. Συνδέστε το φις στην πρίζα του ρεύματος.
2. Ηχεί ένα προειδοποιητικό ηχητικό σήμα. Η ένδειξη θερμοκρασίας 8 αναβοσβήνει.
3. Πατήστε το πλήκτρο ρύθμισης θερμοκρασίας 2. Το προειδοποιητικό σήμα απενεργοποιείται.

Όταν επιτευχθεί η ρυθμισμένη θερμοκρασία στον χώρο κατάψυξης, ανάβει η ένδειξη θερμοκρασίας 8.

Από το εργοστάσιο συνιστώνται οι ακόλουθες ρυθμίσεις:

- Χώρος ψύξης: μέση ρύθμιση
- Χώρος κατάψυξης: -18 °C

Αποθηκεύετε τα ευαίσθητα τρόφιμα στο χώρο ψύξης.

Υποδείξεις σχετικά με τη λειτουργία

- Μετά τη θέση σε λειτουργία μπορεί να χρειαστούν αρκετές ώρες, μέχρι να επιτευχθούν οι ρυθμισμένες θερμοκρασίες.
- Χάρη στο υπεραυτόματο σύστημα NoFrost ο χώρος κατάψυξης παραμένει χωρίς πάγο. Απόψυξη δεν είναι πλέον απαραίτητη.
- Οι μετωπικές πλευρές του περιβλήματος θερμαίνονται εν μέρει ελαφρά, αυτό εμποδίζει τον σχηματισμό νερού συμπύκνωσης στην περιοχή της τοιμούχας της πόρτας.

- Σε περίπτωση που η πόρτα του χώρου κατάψυξης δεν ξανανοιγεί αμέσως μετά το κλείσιμο, περιμένετε μια στιγμή, μέχρι να αντισταθμιστεί η υποπίεση που προέκυψε.

Ρύθμιση θερμοκρασίας

Χώρος ψύξης

Η θερμοκρασία μπορεί να ρυθμιστεί από +2 °C έως +8 °C.

Πατήστε το πλήκτρο ρύθμισης της θερμοκρασίας 2 τόσες φορές, μέχρι να ρυθμιστεί η επιθυμητή θερμοκρασία στο χώρο ψύξης.

Η τελευταία ρυθμισμένη τιμή αποθηκεύεται στη μνήμη της συσκευής. Η ρυθμισμένη θερμοκρασία εμφανίζεται στην ένδειξη θερμοκρασίας 4.

Υπόδειξη

Για να επιτευχθεί η επιλεγμένη θερμοκρασία, ανοίξτε τα ανοίγματα αερισμού κατά το 1/3, εικόνα 6.

Χώρος κατάψυξης

Η θερμοκρασία μπορεί να ρυθμιστεί από -16 °C έως -24 °C.

Πατήστε το πλήκτρο ρύθμισης θερμοκρασίας 6 τόσες φορές, μέχρι να ρυθμιστεί η επιθυμητή θερμοκρασία στον χώρο κατάψυξης.

Η τελευταία ρυθμισμένη τιμή αποθηκεύεται στη μνήμη της συσκευής. Η ρυθμισμένη θερμοκρασία εμφανίζεται στην ένδειξη θερμοκρασίας 8.

Από το εργοστάσιο εμείς σας συνιστούμε στον χώρο κατάψυξης τη ρύθμιση των -18 °C.

eco

Με τη λειτουργία eco αλλάζετε τη ρύθμιση της συσκευής στην λειτουργία εξοικονόμησης ενέργειας.

Η συσκευή ρυθμίζει αυτόματα τις ακόλουθες θερμοκρασίες:

- Χώρος ψύξης: +8 °C
- Χώρος κατάψυξης: -16 °C

Ενεργοποίηση Eco

Πατήστε το πλήκτρο ρύθμισης θερμοκρασίας 6 τόσες φορές, μέχρι να τονιστεί η ένδειξη "eco".

Λειτουργίες συναγερμού

Εικόνα **2**

Συναγερμός πόρτας

Ο συναγερμός της πόρτας (διαρκές ηχητικό σήμα μπιπ) ενεργοποιείται, όταν η πόρτα της συσκευής παραμένει ανοιχτή για περισσότερο από ένα λεπτό. Με το κλείσιμο της πόρτας παύει ξανά το προειδοποιητικό ηχητικό σήμα.

Συναγερμός θερμοκρασίας

Ο συναγερμός θερμοκρασίας ενεργοποιείται, όταν η θερμοκρασία στον χώρο κατάψυξης είναι πολύ υψηλή και υπάρχει κίνδυνος για τα κατεψυγμένα τρόφιμα.

Η ένδειξη θερμοκρασίας, Εικόνα **2/8**, αναβοσβήνει.

Χωρίς κίνδυνο για τα κατεψυγμένα τρόφιμα ο συναγερμός μπορεί να ενεργοποιηθεί:

- Όταν τίθεται η συσκευή για πρώτη φορά σε λειτουργία.
- Κατά την τοποθέτηση μεγάλων ποσοτήτων νωπών τροφίμων.
- Όταν η πόρτα του χώρου κατάψυξης ήταν ανοιχτή για μεγάλο διάστημα.

Υπόδειξη

Μην ξανακαταψύξετε τα μισοξεπαγωμένα ή τελειώς ξεπαγωμένα κατεψυγμένα τρόφιμα. Μόνον αφού τα μαγειρέψετε, μπορείτε να καταψύξετε εκ νέου το έτοιμο φαγητό.

Μην εξαντλήσετε πλέον τη μέγιστη διάρκεια αποθήκευσης.

Απενεργοποίηση συναγερμού

Εικόνα **2**

Πατήστε το πλήκτρο ρύθμισης θερμοκρασίας 6, για να απενεργοποιήσετε το προειδοποιητικό σήμα.

Ωφέλιμο περιεχόμενο

Τα στοιχεία για το ωφέλιμο περιεχόμενο θα τα βρείτε μέσα στη συσκευή σας στην πινακίδα τύπου. Εικόνα **13**

Πλήρης εκμετάλλευση της χωρητικότητας του χώρου κατάψυξης

Για να τοποθετήσετε τη μέγιστη ποσότητα κατεψυγμένων τροφίμων, μπορείτε να αφαιρέσετε τα δοχεία. Τότε μπορείτε να στοιβάξετε τα τρόφιμα απευθείας πάνω στο ράφι και στον πυθμένα του χώρου κατάψυξης.

Υπόδειξη

Αποφεύγετε την επαφή μεταξύ των τροφίμων και του οπίσθιου τοιχώματος. Διαφορετικά διαταράσσεται η ομαλή κυκλοφορία του αέρα.

Τρόφιμα ή συσκευασίες μπορεί να παγώσουν και να κολλήσουν με πάγο στο οπίσθιο τοίχωμα.

Αφαίρεση μερών εξοπλισμού

Τραβήξτε το δοχείο κατεψυγμένων τροφίμων μέχρι τέρμα προς τα έξω, ανασηκώστε το μπροστά και αφαιρέστε το. Εικόνα **9**

Χώρος συντήρησης

Ο χώρος συντήρησης είναι ο ιδανικός χώρος αποθήκευσης για κρέας, αλλαντικά, ψάρι, γαλακτοκομικά προϊόντα, αυγά, μαγειρεμένα φαγητά και αρτοσκευάσματα.

Κατά την αποθήκευση προσέχετε τα εξής

- Αποθηκεύετε φρέσκα, άθικτα τρόφιμα. Έτσι διατηρείται για μεγαλύτερο διάστημα η ποιότητα και η φρεσκάδα.
- Σε έτοιμα προϊόντα και τυποποιημένα τρόφιμα προσέξτε την ημερομηνία ανάλωσης ή την ημερομηνία λήξης που δίνεται από τον κατασκευαστή.
- Για να διατηρηθούν το άρωμα, το χρώμα και η φρεσκάδα τοποθετείτε τα τρόφιμα καλά συσκευασμένα ή καλυμμένα. Έτσι αποφεύγονται η ανάμειξη των γεύσεων και οι χρωματικές αλλοιώσεις των πλαστικών μερών στον χώρο συντήρησης.
- Αφήνετε τα ζεστά φαγητά και ποτά να κρυώσουν πρώτα και τα τοποθετείτε μετά μέσα στη συσκευή.

Υπόδειξη

Μην μπλοκάρτε τα ανοίγματα εξόδου αέρα με τρόφιμα, ώστε να μην εμποδίζεται η κυκλοφορία του αέρα. Τα τρόφιμα, τα οποία αποθηκεύονται άμεσα μπροστά από τα ανοίγματα εξόδου αέρα, μπορούν να παγώσουν από τον εξερχόμενο ψυχρό αέρα.

Προσέξτε τις ψυχρές ζώνες στο χώρο ψύξης

Λόγω της κυκλοφορίας του αέρα στο χώρο ψύξης προκύπτουν διαφορετικές ζώνες ψύξης:

- Οι ψυχρότερες ζώνες είναι μπροστά από τα ανοίγματα αερισμού και μέσα στον ψυχρό θάλαμο αποθήκευσης, εικόνα **1**/14.

Υπόδειξη

Αποθηκεύετε στις ψυχρότερες ζώνες ευαίσθητα τρόφιμα (π.χ. ψάρια, αλλαντικά, κρέας).

- Η θερμότερη ζώνη είναι στο επάνω μέρος της πόρτας.

Υπόδειξη

Στη θερμότερη ζώνη αποθηκεύετε π. χ. σκληρό τυρί και βούτυρο. Το σκληρό τυρί μπορεί να αναπύξει έτσι περαιτέρω το άρωμά του, το βούτυρο παραμένει μαλακό.

Δοχείο λαχανικών με ρυθμιστή υγρασίας

Εικόνα **7**

Για να δημιουργηθεί το ιδανικό κλίμα αποθήκευσης για φρούτα και λαχανικά, μπορείτε να ρυθμίσετε την υγρασία του αέρα στο δοχείο λαχανικών:

- Κυρίως λαχανικά καθώς και σε μικτή φόρτωση ή μικρή φόρτωση – υψηλή υγρασία αέρα

- Κυρίως φρούτα καθώς και σε μεγάλη φόρτωση – χαμηλή υγρασία του αέρα

Υποδειξεις

- Για την ιδανική διατήρηση της ποιότητας και του αρώματός τους τα ευαίσθητα στο ψύχος φρούτα (π. χ. ανανάς, μπανάνες, παπάγια και εσπεριδοειδή) και λαχανικά (π. χ. μελιτζάνες, αγγούρια, κολοκύθια, πιπεριές, ντομάτες και πατάτες) θα πρέπει να αποθηκεύονται εκτός ψυγείου σε θερμοκρασίες περίπου +8 °C έως +12 °C.
- Ανάλογα με την ποσότητα και τα προς αποθήκευση τρόφιμα μπορεί να σχηματιστεί νερό συμπύκνωσης μέσα στο δοχείο λαχανικών. Απομακρύνετε το νερό συμπύκνωσης με στεγνό πανί και προσαρμόστε την υγρασία του αέρα στο δοχείο λαχανικών μέσω του ρυθμιστή υγρασίας.

Χώρος ψυχρής αποθήκευσης

Εικόνα 6

Στον χώρο ψυχρής αποθήκευσης επικρατούν χαμηλότερες θερμοκρασίες απ' ότι στον χώρο συντήρησης. Μπορούν επίσης να εμφανιστούν θερμοκρασίες κάτω των 0 °C.

Ιδανικός για την αποθήκευση ψαριών, κρέατος και αλλαντικών. Όχι για σαλάτες και λαχανικά και τρόφιμα ευαίσθητα στο ψύχος.

Η θερμοκρασία των ψυχρών θαλάμων αποθήκευσης μπορεί να μεταβάλλεται με τη βοήθεια του ανοίγματος αερισμού. Σπρώξτε το ρυθμιστή θερμοκρασίας προς τα πάνω, για να μειώσετε τη θερμοκρασία. Σπρώξτε το ρυθμιστή θερμοκρασίας προς τα κάτω, για να αυξήσετε τη θερμοκρασία. Εικόνα 6

Υπερψύξη

Κατά τη λειτουργία με super ψύξη ψύχεται ο χώρος συντήρησης επί περ. 15 ώρες στη χαμηλότερη δυνατή θερμοκρασία. Κατόπιν ρυθμίζεται αυτόματα στη θερμοκρασία που είχε ρυθμιστεί πριν την ενεργοποίηση της υπερψύξης.

Ενεργοποιείτε την υπερψύξη π.χ.

- Πριν την τοποθέτηση μεγάλων ποσοτήτων τροφίμων.
- για την ταχεία ψύξη ποτών.

Υπόδειξη

Αν είναι ενεργοποιημένη η σουπερ ψύξη, μπορεί να παρατηρηθούν αυξημένοι θόρυβοι λειτουργίας.

Ενεργοποίηση και απενεργοποίηση

Εικόνα 2

Πατήστε το πλήκτρο ρύθμισης θερμοκρασίας 2 τόσες φορές, μέχρι να ανάψει η ένδειξη super 3.

Χώρος κατάψυξης

Χρησιμοποιείτε τον χώρο κατάψυξης

- Για την αποθήκευση κατεψυγμένων τροφίμων.
- Για την παρασκευή παγοκύβων.
- Για την κατάψυξη τροφίμων.

Υπόδειξη

Προσέξτε να είναι πάντοτε κλειστή η πόρτα του χώρου κατάψυξης. Με ανοιχτή την πόρτα ξεπαγώνουν τα τρόφιμα και ο χώρος κατάψυξης καλύπτεται από παχύ στρώμα πάγου. Εκτός αυτού: Σπατάλη ενέργειας λόγω μεγάλης κατανάλωσης ρεύματος!

Μέγ. απόδοση κατάψυξης

Στοιχεία σχετικά με τη μέγιστη απόδοση κατάψυξης εντός 24 ωρών θα βρείτε στην πινακίδα τύπου. Εικόνα **18**

Προϋποθέσεις για τη μέγ. απόδοση κατάψυξης

- Ενεργοποιήστε την υπερκατάψυξη πριν την τοποθέτηση των νωπών τροφίμων (βλ. στο Κεφάλαιο Υπερκατάψυξη).
- Αφαιρέστε τα δοχεία, στοιβάξτε τα τρόφιμα απευθείας πάνω στο ράφι και στον πυθμένα του χώρου κατάψυξης.
- Καταψύχετε τις μεγάλες ποσότητες τροφίμων κατά προτίμηση στο επάνω ράφι. Εκεί αυτά καταψύχονται ιδιαίτερα γρήγορα και ως εκ τούτου επίσης με διατήρηση των θρεπτικών συστατικών τους.

Κατάψυξη και αποθήκευση

Αγορά κατεψυγμένων τροφίμων

- Η συσκευασία δεν επιτρέπεται να είναι χαλασμένη.
- Προσέχετε την ημερομηνία λήξης.
- Η θερμοκρασία στα ψυγεία των καταστημάτων πώλησης πρέπει να είναι $-18\text{ }^{\circ}\text{C}$ ή χαμηλότερη.
- Μεταφέρετε τα κατεψυγμένα τρόφιμα που αγοράσατε κατά δυνατότητα σε μονωτική σακούλα και τοποθετήστε τα χωρίς καθυστέρηση στον χώρο κατάψυξης.

Κατά την τακτοποίηση προσέξτε τα εξής

- Καταψύχετε μεγάλες ποσότητες τροφίμων κατά προτίμηση στο επάνω ράφι. Εκεί αυτά καταψύχονται ιδιαίτερα γρήγορα και ως εκ τούτου επίσης με διατήρηση των θρεπτικών συστατικών τους.
- Τοποθετείτε τα τρόφιμα απλωμένα μέσα στους χώρους ή αντίστοιχα στα δοχεία κατεψυγμένων τροφίμων.

Υπόδειξη

Τα ήδη κατεψυγμένα τρόφιμα δεν επιτρέπεται να έρθουν σε επαφή με τα νωπά τρόφιμα που πρόκειται να καταψυχθούν. Ενδεχομένως μετατοπίζετε τα ήδη κατεψυγμένα τρόφιμα στα άλλα δοχεία κατεψυγμένων τροφίμων.

Αποθήκευση κατεψυγμένων τροφίμων

Εισάγετε τα δοχεία κατεψυγμένων τροφίμων μέχρι το τέρμα, για να διασφαλίζεται η απρόσκοπτη κυκλοφορία του αέρα.

Κατάψυξη νωπών τροφίμων

Αν πρόκειται να καταψύξετε τρόφιμα, χρησιμοποιείτε μόνον φρέσκα και αρίστης ποιότητας τρόφιμα.

Για να διατηρηθεί η θρεπτική αξία, το άρωμα και το χρώμα όσο το δυνατόν καλύτερα, τα λαχανικά θα πρέπει να ζεματίζονται, προτού καταψυχθούν. Για μελιτζάνες, πιπεριές, κολοκύθια και σπαράγγια το ζεμάτισμα δεν είναι απαραίτητο.

Βιβλιογραφία σχετικά με την κατάψυξη και το ζεμάτισμα θα βρείτε στα βιβλιοπωλεία.

Υπόδειξη

Προσέξτε να μην έρχονται σε επαφή τα τρόφιμα που πρόκειται να καταψυχθούν με ήδη κατεψυγμένα τρόφιμα.

- Για κατάψυξη είναι κατάλληλα: Αρτοσκευάσματα, ψάρια και θαλασσινά, κρέας, κυνήγι, πουλερικά, λαχανικά, φρούτα, αρωματικά χόρτα, αβγά χωρίς το τσίφλι, γαλακτοκομικά προϊόντα όπως τυρί, βούτυρο και χλωρή μυζήθρα, έτοιμα φαγητά και περισσεύματα φαγητών όπως σούπες, μαγειρευτά φαγητά, ψημένο κρέας και ψάρι, φαγητά με πατάτες, σουφλέ, ογκρατέν και γλυκίσματα.

- Για κατάψυξη δεν είναι κατάλληλα: Είδη λαχανικών, τα οποία καταναλώνονται συνήθως ωμά, όπως σαλάτες ή ραπανάκια, αβγά με το τσόφλι, σταφύλια, ολόκληρα μήλα, αχλάδια και ροδάκινα, σφίχτοβρασμένα αβγά, γιαούρτι, ξυνόγαλο, ξυνή κρέμα γάλακτος, φρέσκια κρέμα γάλακτος και μαγιονέζα.

Συσκευασία των κατεψυγμένων τροφίμων

Συσκευάζετε τα τρόφιμα αεροστεγώς, ούτως ώστε να μη χάσουν ούτε τη γεύση τους ούτε την υγρασία τους.

1. Τοποθετείτε τα τρόφιμα μέσα στη συσκευασία.
2. Πιέζετε τη συσκευασία, μέχρι να βγει ο αέρας.
3. Κλείνετε καλά τη συσκευασία.
4. Αναγράφετε στη συσκευασία το περιεχόμενο του πακέτου και την ημερομηνία κατάψυξής του.

Κατάλληλα για τη συσκευασία είναι:

Πλαστικές μεμβράνες, σωληνοειδείς μεμβράνες από πολυαιθυλένιο, αλουμινοχαρτα, κουτιά κατάψυξης (τάπερ κτλ.).

Αυτά τα προϊόντα μπορείτε να τα βρείτε στα ειδικά καταστήματα.

Ακατάλληλα για τη συσκευασία είναι:

Χαρτί περιτυλίγματος, λαδόχαρτο, σελοφάν, σακούλες απορριμμάτων και μεταχειρισμένες σακούλες από ψώνια.

Κατάλληλα για το κλείσιμο της συσκευασίας είναι:

Λαστιχάκια, πλαστικά κλιπ, κλωστές, αυτοκόλλητες ταινίες ανθεκτικές στις χαμηλές θερμοκρασίες ή παρόμοια.

Οι σακούλες και οι μεμβράνες σε σωλήνα από πολυαιθυλένιο (PE) μπορεί να κλείσουν με συγκόλληση με την ειδική συσκευή θερμοσυγκόλλησης πλαστικών μεμβρανών.

Χρόνος διατήρησης των κατεψυγμένων τροφίμων

Η διάρκεια διατήρησης εξαρτάται από το είδος των τροφίμων.

Σε θερμοκρασία -18 °C:

- ψάρια, αλλαντικά, μαγειρεμένα φαγητά, αρτοσκευάσματα και γλυκά: μέχρι και 6 μήνες
- τυρί, πουλερικά, κρέας: μέχρι και 8 μήνες
- λαχανικά, φρούτα: μέχρι και 12 μήνες

Υπερκατάψυξη

Τα τρόφιμα πρέπει να καταψύχονται όσο το δυνατόν γρήγορα μέχρι τον πυρήνα τους, ώστε να διατηρηθούν οι βιταμίνες, η θρεπτική αξία, η εμφάνιση και η γεύση τους.

Ενεργοποιήστε μερικές ώρες πριν την τοποθέτηση των νωπών τροφίμων την υπερκατάψυξη, για να αποφύγετε μια ανεπιθύμητη αύξηση της θερμοκρασίας.

Γενικά αρκούν 4–6 ώρες.

Η συσκευή δουλεύει μετά την ενεργοποίηση αδιάκοπα, στον χώρο της κατάψυξης επιτυγχάνεται πολύ χαμηλή θερμοκρασία.

Αν πρόκειται να εκμεταλλευτείτε τη μέγιστη απόδοση κατάψυξης, τότε πρέπει να ενεργοποιήσετε την υπερκατάψυξη 24 ώρες πριν την τοποθέτηση των νωπών τροφίμων.

Μικρότερες ποσότητες τροφίμων (μέχρι και 2 kg) μπορούν να καταψυχθούν χωρίς υπερκατάψυξη.

Υπόδειξη

Αν είναι ενεργοποιημένη η υπερκατάψυξη, μπορεί να εμφανιστούν αυξημένοι θόρυβοι λειτουργίας.

Ενεργοποίηση και απενεργοποίηση

Εικόνα **2**

Πατήστε το πλήκτρο ρύθμισης θερμοκρασίας 6 τόσες φορές, μέχρι να ανάψει η ένδειξη "super" 7.

Η υπερκατάψυξη τίθεται μετά από περ. 2½ ημέρες αυτόματα εκτός λειτουργίας.

Απόψυξη κατεψυγμένων τροφίμων

Ανάλογα με το είδος και τον σκοπό χρήσης μπορείτε να επιλέξετε ανάμεσα στις ακόλουθες δυνατότητες:

- σε θερμοκρασία δωματίου
- στο ψυγείο
- στον ηλεκτρικό φούρνο, με/χωρίς ανεμιστήρα θερμού αέρα
- στον φούρνο μικροκυμάτων

Προσοχή

Μην ξανακαταψύξετε τα μισοξεπαγωμένα ή τελειώς ξεπαγωμένα κατεψυγμένα τρόφιμα. Μόνον αφού τα μαγειρέψετε, μπορείτε να καταψύξετε εκ νέου το έτοιμο φαγητό.

Μην εξαντλήσετε πλέον τη μέγιστη διάρκεια αποθήκευσης των τροφίμων.

Εξοπλισμός

Ράφια και δοχεία

Μπορείτε να μεταβάλλετε τη θέση των ραφιών του εσωτερικού χώρου και των δοχείων της πόρτας ανάλογα με τις ανάγκες σας: Τραβάτε το ράφι προς τα εμπρός, το κατεβάζετε και το τραβάτε στρέφοντάς το στα πλάγια προς τα έξω. Ανασηκώνετε και βγάλτε τα δοχεία.

Ειδικός εξοπλισμός

(όχι σε όλα τα μοντέλα)

Ράφι φιαλών

Εικόνα **5**

Στο ράφι φιαλών μπορείτε να τοποθετείτε φιάλες με ασφάλεια.

Δοχείο για παγάκια

Εικόνα **11**

1. Γεμίστε το δοχείο παγοκύβων κατά τα $\frac{3}{4}$ με πόσιμο νερό και τοποθετήστε το στον χώρο κατάψυξης.
2. Ξεκολλάτε το τυχόν κολλημένο δοχείο παγοκύβων μόνο με αμβλύ αντικείμενο (λαβή κουταλιού).
3. Για να ξεκολλήσουν τα παγάκια, κρατήστε το δοχείο παγοκύβων για λίγο κάτω από το τρέχον νερό της βρύσης ή λυγίστε το ελαφρά.

Ημερολόγιο κατάψυξης

Εικόνα **10**

Για να αποφεύγονται απώλειες στην ποιότητα των κατεψυγμένων τροφίμων, μην υπερβαίνετε τη διάρκεια αποθήκευσης. Οι αριθμοί στα σύμβολα δίνουν την επιτρεπόμενη διάρκεια αποθήκευσης σε μήνες για τα κατεψυγμένα τρόφιμα. Στα συνήθη κατεψυγμένα προϊόντα του εμπορίου προσέχετε την ημερομηνία παρασκευής ή την ημερομηνία λήξης.

Παγοκύστη

Σε περίπτωση διακοπής ρεύματος ή βλάβης η παγοκύστη καθυστερεί την άνοδο της θερμοκρασίας των αποθηκευμένων κατεψυγμένων τροφίμων. Η μακρότερη διάρκεια αποθήκευσης επιτυγχάνεται, αν τοποθετήσετε την παγοκύστη στον επάνω χώρο επάνω στα τρόφιμα.

Η παγοκύστη μπορεί επίσης να αφαιρεθεί και να χρησιμοποιηθεί για την προσωρινή διατήρηση της ψύξης τροφίμων π.χ. σε τσάντα-ψυγείο.

Σετ πρωινού

Εικόνα **12**

Τα δοχεία του σετ πρωινού μπορούν να αφαιρεθούν ξεχωριστά και να γεμιστούν.

Αυτοκόλλητο "OK"

(όχι σε όλα τα μοντέλα)

Με το αυτοκόλλητο "OK" μπορείτε να ελέγξετε, εάν στο θάλαμο ψύξης έχει επιτευχθεί η ασφαλής για τα τρόφιμα περιοχή θερμοκρασίας +4 °C ή χαμηλότερα. Αν το αυτοκόλλητο δε δείχνει "OK", μειώστε σταδιακά τη θερμοκρασία.

Υπόδειξη

Μετά τη θέση της συσκευής σε λειτουργία μπορεί να διαρκέσει έως και 12 ώρες, μέχρι να επιτευχθεί η ρυθμισμένη θερμοκρασία.



Σωστή ρύθμιση

Σβήσιμο και μακροχρόνια θέση της συσκευής εκτός λειτουργίας

Θέση της συσκευής εκτός λειτουργίας

Βγάψτε το φιν από την πρίζα ή κατεβάστε την ασφάλεια.

Το ψυκτικό μηχάνημα απενεργοποιείται.

Μακροχρόνια θέση της συσκευής εκτός λειτουργίας

Όταν δεν πρόκειται να χρησιμοποιήσετε για μεγάλο χρονικό διάστημα τη συσκευή:

1. Βγάλτε το φιν από την πρίζα ή απενεργοποιήστε την ασφάλεια.

2. Καθαρίστε τη συσκευή.
3. Αφήστε ανοιχτή την πόρτα της συσκευής.

Καθαρισμός της συσκευής

⚠ Προσοχή

- Μη χρησιμοποιήσετε διαλυτικά και μέσα καθαρισμού που περιέχουν άμμο, χλωρίδιο ή οξέα.
- Μη χρησιμοποιείτε διαβρωτικά σφουγγάρια ή σφουγγάρια που δημιουργούν αμυχές.
Στις μεταλλικές επιφάνειες θα μπορούσε να προκληθεί διάβρωση.
- Μην πλένετε ποτέ ράφια και δοχεία της συσκευής στο πλυντήριο πιάτων.
Τα μέρη αυτά είναι δυνατόν να παραμορφωθούν!

Το νερό καθαρισμού δεν επιτρέπεται να διεισδύσει στους ακόλουθους τομείς:

- Στοιχεία χειρισμού
- Φωτισμός
- Ανοίγματα αερισμού
- Ανοίγματα στην πλάκα διαχωρισμού

Ακολουθήστε την εξής διαδικασία:

1. Βγάλτε το φιν από την πρίζα ή απενεργοποιήστε την ασφάλεια.
2. Αφαιρέστε τα κατεψυγμένα τρόφιμα και αποθηκεύστε τα σε δροσερό μέρος. Βάλτε την παγοκύστη (αν υπάρχει) επάνω στα τρόφιμα.

3. Το νερό καθαρισμού δεν επιτρέπεται να έρθει σε επαφή με τα στοιχεία χειρισμού, το φωτισμό, τα ανοίγματα αερισμού ή με τα ανοίγματα της πλάκας διαχωρισμού!
Καθαρίστε τη συσκευή με ένα μαλακό πανί, χλιαρό νερό και λίγο απορρυπαντικό πλυσίματος πιάτων με ουδέτερο pH.
4. Σκουπίστε την τσιμούχα της πόρτας με πανί βρεγμένο μόνο με καθαρό νερό και τρίψτε την μετά καλά με στεγνό πανί.
5. Μετά τον καθαρισμό: Ξανασυνδέστε τη συσκευή.
6. Επανατοποθετήστε τα κατεψυγμένα τρόφιμα.

Εξοπλισμός

Για τον καθαρισμό αφαιρέστε όλα τα μεταβλητά μέρη της συσκευής.

Αφαίρεση των ραφιών στην πόρτα

Εικόνα 4

Ανασηκώστε τα ράφια προς τα πάνω και αφαιρέστε τα.

Αφαίρεση των γυάλινων ραφιών

Τραβήξτε τα γυάλινα ράφια προς τα εμπρός και αφαιρέστε τα.

Αφαίρεση δοχείου

Εικόνα 8

Τραβήξτε τα δοχεία μέχρι τέρμα προς τα έξω, ανασηκώστε τα μπροστά και αφαιρέστε τα.

Αφαίρεση δοχείου κατεψυγμένων δοχείων

Εικόνα 9

Τραβήξτε το δοχείο κατεψυγμένων τροφίμων μέχρι τέρμα προς τα έξω, ανασηκώστε το μπροστά και αφαιρέστε το.

Φωτισμός (LED)

Η συσκευή σας είναι εξοπλισμένη με φωτισμό LED.

Επισκευές αυτού του είδους φωτισμού επιτρέπεται να εκτελούνται μόνον από την υπηρεσία τεχνικής εξυπηρέτησης πελατών ή από εξουσιοδοτημένο ειδικά καταρτισμένο προσωπικό.

Έτσι μπορείτε να εξοικονομήσετε ενέργεια

- Τοποθετήστε τη συσκευή σε στεγνό, αεριζόμενο χώρο! Η συσκευή δεν πρέπει να βρίσκεται εκτεθειμένη στην άμεση ηλιακή ακτινοβολία ούτε κοντά σε πηγή θερμότητας (π.χ. καλοριφέρ, ηλεκτρική κουζίνα).
Χρησιμοποιήστε ενδεχομένως μονωτική πλάκα.
- Αφήνετε τα ζεστά τρόφιμα και ποτά να κρυώσουν πρώτα και μετά τα βάζετε μέσα στη συσκευή.
- Τοποθετείτε τα κατεψυγμένα τρόφιμα για ξεπάγωμα μέσα στον χώρο συντήρησης και εκμεταλλευτείτε έτσι το ψύχος τους για την ψύξη τροφίμων.
- Ανοίγετε την συσκευή όσο το δυνατόν για μικρότερο χρονικό διάστημα.
- Για την επίτευξη της χαμηλότερης κατανάλωσης ενέργειας, κρατήστε μια μικρή πλευρική απόσταση από τον τοίχο.
- Η διάταξη των μερών του εξοπλισμού δεν επηρεάζουν καθόλου την απορρόφηση ενέργειας της συσκευής.

Θόρυβοι λειτουργίας

Συνηθισμένοι θόρυβοι λειτουργίας

Υπόδειξη

Όταν η υπερκατάψυξη είναι ενεργοποιημένη, μπορεί να εμφανιστούν αυξημένοι θόρυβοι λειτουργίας.

Χαμηλός θόρυβος

Οι κινητήρες λειτουργούν (π.χ. ψυκτικά συγκροτήματα, ανεμιστήρας).

Θόρυβος αναβρασμού, γουργουρίσματος ή βουΐσμα

Ροή του ψυκτικού ρευστού μέσα στους σωλήνες.

Βραχύς μεταλλικός ήχος

Ο κινητήρας, οι διακόπτες ή οι μαγνητικές βαλβίδες ενεργοποιούνται/ απενεργοποιούνται.

Κρότος

Διεξάγεται η αυτόματη απόψυξη.

Αποφυγή θορύβων

Η συσκευή δεν βρίσκεται σε επίπεδη θέση

Παρακαλείσθε να ευθυγραμμίσετε τη συσκευή με τη βοήθεια αλφαδιού. Χρησιμοποιήστε γι' αυτό τα βιδωτά πόδια ή τοποθετήστε κάτι από κάτω.

Η συσκευή ακουμπάει κάπου

Παρακαλείσθε να απομακρύνετε τη συσκευή από τα έπιπλα ή τις άλλες συσκευές που ακουμπάει.

Ταλαντευόμενα ή μαγκωμένα δοχεία ή ράφια

Παρακαλείσθε να ελέγξετε όλα τα αφαιρούμενα μέρη της συσκευής και ενδεχομένως να τα τοποθετήσετε εκ νέου.

Φιάλες ή δοχεία εφάπτονται μεταξύ τους

Παρακαλείσθε να μετατοπίσετε λίγο τις φιάλες ή τα δοχεία, ούτως ώστε να μην αλληλεφάπτονται.

Πώς θα διορθώσετε μόνες/-οι σας μικροβλάβες

Προτού καλέσετε την υπηρεσία τεχνικής εξυπηρέτησης πελατών:

Εξετάστε, μήπως μπορείτε βάσει των ακολούθων υποδείξεων να διορθώσετε οι ίδιες/οι τη βλάβη.

Σε περιπτώσεις ζήτησης συμβουλής από την υπηρεσία τεχνικής εξυπηρέτησης πελατών, πρέπει να αναλάβετε εσείς τα έξοδα – ακόμη και κατά τη διάρκεια ισχύος της παροχής δωρεάν εγγύησης!

Βλάβη	Πιθανή αιτία	Αντιμετώπιση
Η θερμοκρασία αποκλίνει ισχυρά από τη ρύθμιση.		Σε μερικές περιπτώσεις αρκεί να θέσετε τη συσκευή για 5 λεπτά εκτός λειτουργίας. Αν η θερμοκρασία είναι πολύ υψηλή, ελέγξτε μετά από λίγες ώρες, αν έχει γίνει προσέγγιση θερμοκρασίας. Αν η θερμοκρασία είναι πολύ χαμηλή, ελέγξτε την επόμενη μέρα τη θερμοκρασία ξανά.
Το προειδοποιητικό σήμα ηχεί. Η ένδειξη θερμοκρασίας αναβοσβήνει. Εικόνα 2/8	Βλάβη - στον χώρο κατάψυξης επικρατεί πολύ υψηλή θερμοκρασία! Κίνδυνος για τα κατεψυγμένα τρόφιμα. Η συσκευή είναι ανοιχτή.	Για την απενεργοποίηση του προειδοποιητικού ηχητικού σήματος πατήστε το πλήκτρο ρύθμισης θερμοκρασίας, Εικόνα 2/6. Κλείστε τη συσκευή.
	Τα ανοίγματα αερισμού και εξαερισμού είναι καλυμμένα.	Να εξασφαλιστεί ο αερισμός και ο εξαερισμός.
	Τοποθετήθηκαν πολλά τρόφιμα μεμιάς για κατάψυξη.	Μην υπερβαίνετε τη μέγιστη απόδοση κατάψυξης. Μετά την αντιμετώπιση της βλάβης παύει να αναβοσβήνει η ένδειξη θερμοκρασίας.
Η θερμοκρασία στον χώρο κατάψυξης είναι πολύ υψηλή.	Συχνό άνοιγμα της συσκευής. Τα ανοίγματα αερισμού και εξαερισμού είναι καλυμμένα.	Μην ανοίγετε άσκοπα τη συσκευή. Απομακρύνετε τα εμπόδια.
	Καταψύχθηκαν μεμιάς μεγαλύτερες ποσότητες ωπών τροφίμων.	Μην υπερβαίνετε τη μέγιστη απόδοση κατάψυξης.

Βλάβη	Πιθανή αιτία	Αντιμετώπιση
Ο φωτισμός δε λειτουργεί.	Ο φωτισμός LED είναι χαλασμένος. Η συσκευή ήταν ανοιχτή για πολύ μεγάλο διάστημα. Ο φωτισμός απενεργοποιείται μετά από περ. 10 λεπτά.	Βλ. Φωτισμός (LED). Μετά το κλείσιμο και το άνοιγμα της συσκευής ο φωτισμός ξανανάβει.
Μειωμένη φωτεινή ισχύς των στοιχείων χειρισμού.	Αν δεν έγινε χρήση της συσκευής για αρκετό χρονικό διάστημα, η ένδειξη του πίνακα χειρισμού μεταβαίνει στον οικονομικό τρόπο λειτουργίας.	Μόλις η συσκευή ξαναχρησιμοποιηθεί, π.χ. κατά το άνοιγμα της πόρτας, ενεργοποιείται η ένδειξη ξανά στον κανονικό φωτισμό.
Καμιά ένδειξη δεν είναι αναμμένη.	Διακοπή ρεύματος, η ασφάλεια έχει πέσει ή έχει καεί, το φως δεν βρίσκεται σωστά μέσα στην πρίζα.	Συνδέστε το φως στην πρίζα. Εξετάστε αν υπάρχει ρεύμα, ελέγξτε τις ασφάλειες.
Η συσκευή δεν ψύχει, η ένδειξη θερμοκρασίας και το φως είναι αναμμένα.	Είναι ενεργοποιημένος ο τρόπος λειτουργίας έκθεσης.	Κρατήστε πατημένο το πλήκτρο ρύθμισης θερμοκρασίας Εικόνα 2/2 για 10 δευτερόλεπτα, μέχρι να ηχησει ένα σήμα επιβεβαίωσης. Μετά από κάμποσο χρόνο ελέγχετε αν η συσκευή σας ψύχει.
Η πόρτα του χώρου κατάψυξης ήταν για μεγάλο διάστημα ανοιχτή. Η θερμοκρασία δεν θα επιτευχθεί πλέον.	Ο εξατμιστής (ψυκτικό μηχάνημα) στο σύστημα NoFrost έχει καταληφθεί από παχύ στρώμα πάγου, το οποίο δεν αποψύχεται πλέον υπεραυτόματα.	Για την απόψυξη του εξατμιστή βγάλτε τα κατεψυγμένα αγαθά μαζί με τους χώρους και αποθηκεύστε τα καλά μονωμένα σε δροσερό μέρος. Θέτετε τη συσκευή εκτός λειτουργίας και την απομακρύνετε από τον τοίχο. Αφήστε ανοιχτή την πόρτα της συσκευής. Μετά από περ. 20 λεπτά αρχίζουν τα νερά της απόψυξης να τρέχουν μέσα στο δοχείο εξάτμισης, στην πίσω μεριά της συσκευής. Για να αποφύγετε στην περίπτωση αυτή την υπερχειλίση του δοχείου εξάτμισης, αναρροφήστε τα νερά της απόψυξης με σφουγγάρι. Όταν δεν τρέχει πλέον καθόλου νερό απόψυξης μέσα στο δοχείο εξάτμισης, ο εξατμιστής έχει αποψυχθεί. Καθαρίστε τον εσωτερικό χώρο. Επαναθέτετε τη συσκευή σε λειτουργία.

Βλάβη	Πιθανή αιτία	Αντιμετώπιση
Πάνω στην επιφάνεια της συσκευής και στα ράφια στη συσκευή δημιουργείται συμπύκνωμα.	Οι ζεστές και υγρές θερμοκρασίες περιβάλλοντος ενισχύουν την επίδραση.	<p>Σκουπίστε το νερό με ένα μαλακό, στεγνό πανί.</p> <ul style="list-style-type: none"> ■ Ανοίγετε τη συσκευή όσο το δυνατόν για μικρότερο χρονικό διάστημα ■ Προσέχετε πάντοτε, να είναι η συσκευή καλά κλεισμένη.

Υπηρεσία εξυπηρέτησης πελατών

Την υπηρεσία εξυπηρέτησης πελατών στην περιοχή σας θα την βρείτε στον τηλεφωνικό κατάλογο ή στον πίνακα με τις υπηρεσίες εξυπηρέτησης πελατών. Δώστε στην υπηρεσία εξυπηρέτησης πελατών τον αριθμό προϊόντος (E-Nr.) και τον αριθμό κατασκευής (FD-Nr.) της συσκευής.

Αυτά τα στοιχεία θα τα βρείτε στην πινακίδα τύπου. Εικόνα **13**

Βοηθήστε παρακαλώ, αναφέροντας τον αριθμό προϊόντος και τον αριθμό κατασκευής, στην αποφυγή άσκοπων διαδρομών. Έτσι εξοικονομείτε τα αντίστοιχα επιπλέον έξοδα.

Εντολή επισκευής και συμβουλές σε περίπτωση βλάβης

Τα στοιχεία επικοινωνίας όλων των χωρών θα τα βρείτε στον πίνακα Υπηρεσίες τεχνικής εξυπηρέτησης πελατών που παραδίδεται μαζί.

GR 210 4277500

Αστική χρέωση

Правила техніки безпеки

Перед увімкненням приладу

Уважно прочитайте інструкції з експлуатації та монтажу! Вони містять важливу інформацію щодо встановлення, використання й технічного обслуговування приладу.

Виробник не несе жодної відповідальності за можливі наслідки ігнорування вказівок і попереджень, що містяться в цій інструкції. Збережіть усю документацію на прилад для подальшого використання. У разі переходу приладу до іншого власника передайте документацію разом з ним.

Технічні зауваження щодо безпеки



Небезпека пожежі

У трубопроводах холодильного контуру циркулює незначна кількість нешкідливого для довкілля, але займистого холодоагенту (R600a). Ця речовина не завдає шкоди озоновому шару та не сприяє парниковому ефекту. Однак у разі витoku холодоагент може пошкодити очі або загорітися.

Дії в разі пошкодження

- Переконайтеся в тому, що поблизу приладу немає відкритого вогню або інших джерел займання.
- Ретельно провітріть приміщення впродовж кількох хвилин.
- Вимкніть прилад і відключіть його від електромережі.
- Зверніться до сервісної служби.

Що більше холодоагенту містить прилад, то більшим має бути приміщення, де він установлюється. У замалих приміщеннях витоки з приладу можуть спричинити утворення легкозаймистої повітряно-газової суміші.

На кожні 8 г холодоагенту має припадати щонайменше 1 м³ об'єму приміщення. Кількість холодоагенту вказана на паспортній табличці всередині приладу.

Установлюючи прилад, пильуйте, щоб не перетиснути й не пошкодити кабель живлення.

У разі пошкодження кабелю живлення цього приладу його має замінити співробітник фірми-виробника чи її сервісної служби або інший фахівець із таким самим рівнем кваліфікації.

Неправильне виконання робіт з монтажу та ремонту може створювати серйозні джерела небезпеки для користувача.

Ремонтні роботи дозволено виконувати лише представникам виробника чи сервісного центру або іншим особам з відповідною кваліфікацією.

Дозволяється використовувати тільки оригінальні запасні частини. Лише ці частини гарантовано відповідають вимогам до безпеки.

Не використовуйте багатомісні розетки, подовжувачі або адаптери.



Небезпека пожежі

Переносні багатомісні розетки або переносні блоки живлення можуть перегріватися й спричинити пожежу.

Не можна ставити за приладом переносні багатомісні розетки або переносні блоки живлення.

Під час експлуатації

- Категорично заборонено використовувати всередині цього приладу інші електроприлади (наприклад, нагрівачі або морозивниці). **Небезпека вибуху!**
- Для розморожування або чищення цього приладу заборонено використовувати пароочисники! Пара може потрапити в електричні деталі та спричинити коротке замикання. **Небезпека ураження електричним струмом!**
- Заборонено вживати для прискорення розморожування якихось додаткових заходів крім тих, які описано в інструкціях виробника. **Небезпека вибуху!**
- Заборонено видаляти шари інею або льоду предметами з гострим кінцем або гострою крайкою. Це може призвести до пошкодження трубопроводів, якими циркулює холодоагент. Потрапивши в навколишнє середовище, холодоагент може зайнятися або пошкодити очі людям.

- У холодильнику заборонено зберігати вироби, що містять горючі гази-витискувачі (наприклад, аерозольні балони), а також вибухонебезпечні речовини. Небезпека вибуху!
- Заборонено ставати або спиратися на основу приладу, висувні елементи, дверцята тощо.
- Перед розморожуванням і чищенням слід витягти вилку з розетки або вимкнути запобіжник. Виймаючи вилку з розетки, тягніть безпосередньо за вилку, а не за кабель.
- Міцні спиртні напої зберігайте лише в щільно закупорених і вертикально розміщених посудинах.
- Не допускайте забруднення пластмасових деталей і ущільнювача дверцят жиром чи олією. Унаслідок цього пластмасові деталі та ущільнювач дверцят можуть набути пористої структури.
- Заборонено закривати чи затуляти вентиляційні отвори приладу.

■ **Запобігання небезпекам, що загрожують дітям та іншим уразливим особам**

Уразливими для небезпек є, зокрема, діти, особи з фізичними та психічними обмеженнями або з обмеженим сприйняттям навколишньої дійсності, а також особи, яким бракує знань для безпечної експлуатації приладу.

Переконайтеся, що діти та інші вразливі до небезпек особи усвідомлюють небезпеки, які їм загрожують.

Діти та інші вразливі до небезпек особи можуть користуватися приладом лише під наглядом або безпосереднім керуванням особи, яка відповідає за їхню безпеку.

Користуватися приладом можна лише дітям віком від 8 років.

Під час чищення й технічного обслуговування діти повинні перебувати під наглядом дорослих.

У жодному разі не дозволяйте дітям гратися з приладом.

- Заборонено зберігати в морозильній камері рідини в пляшках або банках (зокрема, газовані напої). Пляшки та банки можуть луснути!
- Категорично заборонено класти до рота заморожені продукти, щойно вийняті з морозильної камери. **Небезпека обмороження!**
- Уникайте тривалого контакту рук із замороженими продуктами, льодом, трубопроводами випарника тощо. **Небезпека обмороження!**

Якщо вдома є діти

- Не дозволяйте дітям гратися з упаковкою та її частинами. Складані картонні коробки та поліетиленові плівки можуть спричинити задушення!
- Не дозволяйте дітям гратися з приладом!
- Якщо дверцята приладу замикаються на замок: зберігайте ключ у недоступному для дітей місці!

Загальні положення

Холодильник призначений:

- для охолодження та заморожування продуктів харчування;
- для приготування льоду.

Прилад призначений для використання в домашньому господарстві.

Холодильний контур випробувано на герметичність.

Цей виріб відповідає правилам техніки безпеки, що стосуються електроприладів, і захищений від електромагнітних перешкод.

Цей прилад призначений для використання на висоті щонайбільше 2000 м над рівнем моря.

Вказівки з утилізації

Утилізація упаковки

Упаковка захищає прилад від пошкоджень під час транспортування. Упаковка виготовлена виключно з екологічно чистих матеріалів, які можна переробляти як вторинну сировину. Утилізуйте упаковку відповідно до правил охорони довкілля.

Актуальну інформацію про шляхи утилізації можна отримати в найближчого дилера або в органах місцевого самоврядування.

Утилізація старого приладу

Старі прилади не є непотребом! Утилізувавши їх належним чином, можна отримати цінну сировину.



На цей прилад поширюється дія Директиви 2002/96/ЄС про утилізацію відходів електричного та електронного обладнання (waste electrical and electronic equipment).

Ця директива регламентує повернення старих приладів на переробку в країнах ЄС.



Попередження

Для виведення приладу з експлуатації слід виконати описані нижче дії.

1. Відключіть прилад від електромережі.
2. Відріжте частину кабелю живлення з вилкою на кінці.
3. Залиште полиці та контейнери на їхніх місцях, щоб ускладнити дітям потрапляння всередину приладу!
4. Не дозволяйте дітям гратися зі старим приладом. Небезпека задущення!

Холодильники містять холодоагент і газонаповнену теплоізоляцію. Холодоагент і газ потрібно утилізувати належним чином. Бережіть трубопроводи холодильного контуру від пошкоджень аж до утилізації.

Комплект поставки

Розпакувавши всі частини виробу, перевірте їх на предмет пошкоджень, що могли бути завдані під час транспортування.

З претензіями слід звертатися до дилера, в якого придбано прилад, або нашої сервісної служби.

Комплект поставки містить указані нижче складники.

- Холодильник
- Устаткування (залежно від моделі)
- Пакет з монтажним приладдям
- Інструкція з експлуатації
- Інструкція з монтажу
- Сервісна книжка
- Гарантійний талон
- Пам'ятка про споживання електроенергії та рівень шуму

Місце встановлення

Прилад слід установлювати в сухому та провітрюваному приміщенні. Прилад має бути захищений від прямих сонячних променів; його не слід установлювати поруч із джерелами тепла, такими як плита, радіатор опалення тощо. Якщо встановлення приладу поблизу джерела тепла не уникнути, слід використати підхожу ізолювальну панель або залишити зазначену нижче мінімально допустиму відстань до джерела тепла.

- До електричних і газових плит: 3 см.
- До рідко- і твердопаливних плит: 30 см.

Підлога на місці встановлення приладу не має прогинатися. За необхідності укріпіть підлогу. Якщо підлога має нерівності, компенсуйте їх за допомогою підкладок.

Відстань до стіни

Установіть прилад так, щоб дверцята можна було відчинити під кутом 90°.

Температура у приміщенні та вентиляція

Температура у приміщенні

Прилад належить до певного кліматичного класу. Залежно від кліматичного класу прилад можна експлуатувати у приміщеннях із зазначеною нижче температурою.

Кліматичний клас вказано на паспортній табличці приладу (мал. 13).

Кліматичний клас	Допустима температура у приміщенні
SN	Від +10 до +32 °C
N	Від +16 до +32 °C
ST	Від +16 до +38 °C
T	Від +16 до +43 °C

Вказівка

Повна функціональність приладу забезпечується, якщо температура у приміщенні знаходиться в межах, допустимих для зазначеного кліматичного класу. Якщо прилад кліматичного класу SN працює у приміщенні з температурою, що виходить за нижню межу допустимого діапазону, але не є нижчою за +5 °C, ризик пошкодження приладу відсутній.

Вентиляція

Мал. 3

Повітря біля задньої та бокових стінок приладу нагрівається. Необхідно забезпечити можливість безперешкодного відведення нагрітого повітря. Інакше холодильник працюватиме з вищою потужністю. Споживатиметься більше електроенергії. Тому закривати чи затуляти вентиляційні отвори забороняється!

Підключення приладу

Після встановлення приладу почекайте щонайменше 1 годину, перш ніж вмикати його. Під час транспортування компресорна олива може потрапляти до системи охолодження.

Перед першим використанням очистьте внутрішні поверхні приладу (див. розділ «Чищення приладу»).

Приєднання до електромережі

Розетка має бути розташована поруч із приладом і залишатися доступною навіть після його встановлення.

Попередження

Небезпека ураження електричним струмом!

Якщо кабель живлення закороткий, у жодному разі не використовуйте багатомісні розетки або подовжувачі. Натомість зверніться до сервісної служби, щоб дізнатися альтернативні варіанти.

Прилад має захист класу I. Його слід приєднувати до електромережі змінного струму з напругою 220—240 В і частотою 50 Гц через належним чином установлену розетку із захисним провідником. Розетка має бути захищена автоматичним вимикачем / плавким запобіжником, розрахованим на силу струму від 10 до 16 А.

Якщо прилад експлуатується не в країнах Європейського Союзу, перед його приєднанням слід перевірити, чи відповідають указані на ньому напруга та рід струму параметрам електромережі. Ці дані вказано на паспортній табличці (мал. 13).

Попередження

Заборонено підключати прилад до енергоощадних розеток з електронним керуванням.

Наші прилади сумісні з автономними та залежними інверторами струму. Залежні інвертори використовуються у фотоелектричних установках, підключених безпосередньо до електромережі загального користування. Якщо безпосереднє підключення до електромережі загального користування відсутнє (наприклад, на судах або в гірських будівлях), слід використовувати автономні інвертори.

Знайомство з приладом



Див. сторінку з ілюстраціями. Ця інструкція з експлуатації чинна для кількох моделей приладу.

Різні моделі можуть бути вкомплектовані різним устаткуванням.

Ваш прилад може відрізнятись від зображеного на ілюстраціях.

Мал. 1

* Залежно від моделі.

A Холодильна камера

B Морозильна камера

- 1–9 Елементи управління
- 10 Полиця для малих пляшок
- 11 Полиця для великих пляшок
- 12 Лампи освітлення
- 13* Підставка для пляшок
- 14 Відділення з пониженою температурою
- 15 Контейнер для овочів з регулятором вологості
- 16 Контейнер для заморожених продуктів (малий)

Елементи управління

Мал. 2

- 1 **Індикація alarm**
Виділяється, коли температура у приладі надто висока.
- 2 **Клавіша установки температури в холодильній камері**
За допомогою кнопки регулюється температура холодильної камери.
- 3 **Показник «супер»**
Світиться під час роботи супер-охолодження.
- 4 **Індикація температури холодильної камери**
Цифри відповідають установленим в холодильній камері температурам в °C.
- 5 **Індикація «есо»**
Виділяється, коли в холодильній камері ввімкнено економічний режим («есо»).
- 6 **Клавіша регулювання температури – морозильна камера**
Клавіша служить для установки температури в морозильному відділенні.
- 7 **Індикація морозильної камери «Super»**
Світиться, якщо функція суперзаморожування ввімкнена.
- 8 **Індикатор температури в морозильній камері**
Цифри відповідають установленим значенням температури в морозильній камері у градусах Цельсія (°C).
- 9 **Індикація «есо»**
Виділяється, коли в морозильній камері ввімкнено економічний режим («есо»).

Увімкнення приладу

Мал. 2

1. Підключіть прилад до електромережі.
2. Лунає попереджувальний сигнал. Блимає індикатор температури 8.
3. Натисніть кнопку встановлення температури 2. Попереджувальний сигнал вимикається.

Індикатор температури 8 засвічується, коли температура в морозильній камері досягла встановленого значення.

Завод-виробник рекомендує наведені нижче значення.

■ Холодильна камера: середнє значення

■ Морозильна камера: $-18\text{ }^{\circ}\text{C}$

Зберігайте продукти, які швидко псуються, у холодильній камері.

Вказівки з експлуатації

- З моменту увімкнення до досягнення заданої температури може минути кілька годин.
- Автоматична система NoFrost запобігає обмерзанню морозильної камери. Прилад не потребує відтавання.
- Деякі ділянки торцевих поверхонь корпусу трохи підігріваються, що запобігає утворенню конденсату в місці контакту з ущільнювачем дверцят.
- Якщо після зачинення морозильної камери дверцята не відчиняються одразу, зачекайте деякий час, доки не компенсується утворений усередині понижений тиск.

Установлення температури

Холодильна камера

Температура регулюється в діапазоні від $+2$ до $+8\text{ }^{\circ}\text{C}$.

Натискайте кнопку встановлення температури 2, доки в холодильній камері не буде встановлено бажану температуру.

Останнє встановлене значення зберігається. Задана температура відображається на відповідному індикаторі 4.

Вказівка

Для досягнення вибраної температури відчиніть вентиляційні отвори на $1/3$, див. мал. 6.

Морозильна камера

Температура регулюється в діапазоні від $-16\text{ }^{\circ}\text{C}$ до $-24\text{ }^{\circ}\text{C}$.

Натискайте на кнопку установки температури 6 до тих пір, поки не буде встановлена бажана температура в морозильній камері.

Зберігається останнє встановлене значення. Індикація температури 8 показує встановлену температуру.

Завод-виробник рекомендує установити в морозильній камері температуру $-18\text{ }^{\circ}\text{C}$.

есо

Режим есо дає змогу заощаджувати енергію.

Температура в приладі автоматично встановлюється на вказаних нижче рівнях.

- Холодильна камера: +8 °C
- Морозильна камера: -16 °C

Перехід у режим «есо»

Натискайте кнопку встановлення температури 6, доки не буде підсвічено індикатор «есо».

Попереджувальна сигналізація

Мал. 2

Сигнал попередження про відчинені дверцята

Цей безперервний попереджувальний звуковий сигнал вмикається, якщо дверцята приладу залишено відчиненими довше ніж на хвилину. Щоб вимкнути попереджувальний сигнал, зачиніть дверцята.

Сигнал попередження про недопустиму температуру

Сигнал попередження про недопустиму температуру вмикається, якщо в морозильній камері стає надто тепло й заморожені продукти можуть розморозитися.

Блимає індикатор температури (мал. 2/8).

В описаних нижче випадках увімкнення попереджувального сигналу не вказує на небезпеку для заморожених продуктів.

- Після першого увімкнення приладу.
- У разі завантаження великої кількості свіжих продуктів.
- Якщо дверцята морозильної камери відчинені надто довго.

Вказівка

Не можна повторно заморозувати повністю або частково розморожені продукти. Повторне заморожування продуктів допускається лише після термічної обробки (варіння, смаження).

Максимально допустима тривалість зберігання таких продуктів скорочується.

Вимкнення попереджувального сигналу

Мал. 2

Щоб вимкнути попереджувальний сигнал, натисніть кнопку встановлення температури 6.

Корисний об'єм

Корисний об'єм указано на паспортній таблиці приладу. Мал. 13

Повне використання об'єму морозильної камери

Щоб розмістити в морозильній камері якомога більше продуктів, можна вийняти контейнери. У такому випадку продукти можна скласти безпосередньо на полицю та дно морозильної камери.

Вказівка

Запобігайте контакту продуктів харчування із задньою стінкою приладу. Це порушує циркуляцію повітря.

Продукти та їхні упаковки можуть примерзати до задньої стінки.

Виймання елементів устаткування

До упору витягніть контейнер для продуктів, підніміть його передню частину та вийміть із приладу. Мал. 9

Холодильна камера

Холодильна камера — ідеальне місце для зберігання м'яса, ковбасних виробів, риби, молочних продуктів, яєць, готових страв і хлібобулочних виробів.

Поради із завантаження продуктів

- Завантажуйте до приладу свіжі продукти без ознак псування. Це забезпечить тривале збереження якості та свіжості.

- Зберігаючи напівфабрикати та фасовані продукти, звертайте увагу на вказаний виробником кінцевий термін зберігання (споживання).
- Щоб зберегти запах, колір і свіжість продуктів, ретельно пакуйте їх або кладіть у закриті контейнери. Це запобігає змішуванню смаків різних продуктів і зміні кольору пластмасових елементів у холодильній камері.
- Перш ніж завантажувати до приладу теплі страви та напої, слід дочекатися, доки вони не охолонуть.

Вказівка

Не затуляйте продуктами вентиляційні отвори, щоб не порушити циркуляцію повітря. Продукти, що зберігаються в безпосередній близькості до вентиляційних отворів, можуть замерзати під впливом струменів холодного повітря.

Зони охолодження в холодильній камері

Унаслідок циркуляції повітря в холодильній камері утворюються зони з різною температурою.

- Найнижча температура підтримується перед вентиляційними отворами та в зоні свіжості, рис. 1/14.

Вказівка

У найхолодніших зонах зберігайте продукти, які швидко псуються (наприклад, рибу, ковбасні вироби, м'ясо).

- Зона найвищої температури знаходиться у верхній частині дверцят.

Вказівка

Найтепліша зона підходить для зберігання, наприклад, твердого сиру та вершкового масла. Завдяки цьому аромат сиру продовжить розкриватися, а масло залишатиметься достатньо м'яким для намащування.

Контейнер для овочів з регулятором вологості

Мал. 7

З метою створення оптимальних умов для зберігання овочів і фруктів вологість повітря у цьому контейнері можна регулювати:

- переважно овочі та змішане завантаження або мале завантаження — висока вологість повітря,
- переважно фрукти та високе завантаження — низька вологість повітря.

Вказівки

- Чутливі до низьких температур фрукти (напр.: ананаси, банани, папайя і цитрусові) і овочі (напр.: баклажани, огірки, кабачки, солодкий перець, помідори і картопля) для оптимального збереження якості і аромату слід зберігати поза межами холодильника при температурі прибіл. +8 °C до +12 °C.
- Залежно від кількості і виду овочів та фруктів, що зберігаються, в контейнері для овочів може утворитися конденсат. Витріть конденсат сухою ганчіркою і відрегулюйте вологість повітря в контейнері для овочів за допомогою регулятора вологості.

Відділення з пониженою температурою

Малюнок 6

У відділенні з пониженою температурою панує нижча температура, чим в холодильній камері. Температура може опускатися навіть нижче 0 °C.

Ідеально підходить для зберігання риби, м'яса та ковбаси. Не придатний для зберігання салатів та овочів і чутливих до низьких температур продуктів.

Температуру в зонах свіжості можна регулювати за допомогою вентиляційного отвору. Для зниження температури посуньте регулятор угору. Для підвищення температури посуньте регулятор униз. Мал. 6

Суперохолодження

В режимі суперохолодження холодильна камера протягом 15 годин охолоджується до якомога холоднішої температури. Після цього камера перемикається автоматично на установлену перед суперохолодженням температуру.

Вмикайте суперохолодження, напр.

- перед завантаженням великої кількості продуктів;
- для швидкого охолодження напоїв.

Вказівка

При ввімкнутому суперохолодженні може посилитися експлуатаційний шум.

Ввімкнення та вимкнення

Малюнок 2

Натискайте на кнопку установки температури 2 до тих пір, поки світиться показник «super» 3.

Морозильна камера

Функції морозильної камери

- Зберігання заморожених продуктів.
- Приготування льоду.
- Заморожування продуктів.

Вказівка

Дверцята морозильної камери завжди мають бути зачинені! Коли дверцята відчинено, продукти розморожуються, а морозильна камера сильно обмерзає. Окрім того, це призводить до надмірного споживання електроенергії!

Максимальна заморозувальна здатність

Максимальна заморозувальна здатність (маса продуктів, що їх прилад може заморозити впродовж 24 годин) указана на паспортній табличці.

Мал. 13

Максимально повне використання заморозувальної здатності

- Перед завантаженням свіжих продуктів увімкніть функцію швидкого заморожування SuperFreezing (див. однойменний розділ).
- Вийміть контейнери. Покладіть продукти просто на полицю та дно морозильної камери.
- Велику кількість продуктів рекомендується заморожувати в найвищому відділенні. Там продукти заморожуються найшвидше, а отже й найкраще зберігають свої властивості.

Заморожування та зберігання продуктів

Поради з купівлі глибоко заморожених продуктів

- Перевірте, чи не порушено цілісність упаковки.
- Зверніть увагу на кінцевий термін придатності.
- Температура в морозильній скрині має становити щонайбільше -18°C .
- Глибоко заморожені продукти бажано переносити в термосумці та швидко завантажувати до морозильної камери.

Поради з розміщення продуктів

- Велику кількість продуктів рекомендується заморожувати в найвищому відділенні. Там продукти заморожуються найшвидше, а отже й найкраще зберігають свої властивості.
- Продукти у відділеннях або контейнерах слід розподіляти якомога більш рівномірно.

Вказівка

Уже заморожені продукти не мають торкатися заморожуваних. У разі потреби перекладіть уже заморожені продукти до інших контейнерів.

Зберігання заморожених продуктів

Щоб забезпечити безперешкодну циркуляцію повітря, вставляйте контейнери для продуктів до упору.

Заморожування свіжих продуктів

Заморожуйте лише свіжі продукти харчування, які не мають ознак псування.

Щоб якомога краще зберегти харчову цінність, аромат і колір овочів, перед заморожуванням їх слід бланшувати. Не треба бланшувати перед заморожуванням баклажани, солодкий перець, кабачки та спаржу.

Літературу про заморожування та бланшування можна придбати у книгарнях.

Вказівка

Заморожувані продукти не мають торкатися вже заморожених.

- Продукти, придатні для заморожування
Хлібобулочні вироби, риба та морепродукти, м'ясо, дичина, птиця, овочі, фрукти, зелень, яйця без шкаралупи, молочні продукти (сир, масло тощо), готові страви (рідкі та густі супи, м'ясо та риба, страви з картоплі, запіканки, солодкі страви).
- Продукти, непридатні для заморожування
Овочі, які зазвичай їдять сирими, наприклад салат або редиска, яйця в шкаралупі, виноград, цілі яблука, груші та персики, круто зварені яйця, йогурт, кисле молоко, сметана та майонез.

Пакування продуктів

Щоб продукти не втратили смак і не висохли, їх слід герметично запакувати.

1. Покладіть продукти в упаковку.
2. Витисніть повітря.
3. Щільно закрийте упаковку.
4. Напишіть на упаковці, що вона містить, і вкажіть дату заморожування.

Матеріали, придатні для пакування

Полімерна плівка, поліетиленовий рукав, алюмінієва фольга, спеціальні контейнери для заморожування.

Ці вироби можна придбати у спеціалізованих крамницях.

Матеріали, непридатні для пакування

Пакувальний і пергаментний папір, целофан, пакети для сміття, використані пакети для покупок.

Матеріали, придатні для закривання упаковки

Гумові кільця, пластмасові защіпки, шпагат, морозостійка клейка стрічка тощо.

Поліетиленові пакети та рукави можна запаювати за допомогою спеціального пристрою.

Строк придатності заморожених продуктів

Строк придатності залежить від типу продукту.

За температури $-18\text{ }^{\circ}\text{C}$:

- Риба, ковбасні вироби, готові страви, хлібобулочні вироби: до 6 місяців
- Твердий сир, птиця, м'ясо: до 8 місяців
- Овочі, фрукти: до 12 місяців

Функція швидкого заморожування SuperFreezing

Для максимально повного збереження вітамінів, харчової цінності, вигляду та смаку продукти мають промерзати якомога швидше.

Щоб запобігти небажаному підвищенню температури, за кілька годин до завантаження свіжих продуктів слід увімкнути функцію швидкого заморожування.

Зазвичай це достатньо зробити за 4–6 годин.

Після увімкнення прилад працює неперервно; у морозильній камері досягається дуже низька температура.

Для максимально повного використання заморожувальної здатності вмикати функцію швидкого заморожування слід за 24 години до завантаження свіжих продуктів.

Невелику кількість продуктів (до 2 кг) можна заморожувати без використання функції швидкого заморожування.

Вказівка

Коли ввімкнено функцію швидкого заморожування, рівень шуму може бути вищим за звичайний.

Увімкнення та вимкнення

Мал. 2

Натискайте кнопку встановлення температури 6, доки не засвітиться індикатор «super» 7.

Функція швидкого заморожування автоматично вимикається приблизно через $2\frac{1}{2}$ доби.

Розморожування продуктів

Залежно від типу та способу подальшого використання продукти можна розморожувати:

- за кімнатної температури;
- у холодильнику;
- в електричній духовій шафі з нагнітанням гарячого повітря або без нього;
- у мікрохвильовій печі.

Увага

Не можна повторно заморожувати повністю або частково розморожені продукти. Повторне заморожування продуктів допускається лише після термічної обробки (варіння, смаження).

Максимально допустима тривалість зберігання таких продуктів скорочується.

Устаткування

Полички і ємності

Полички всередині приладу та контейнери в дверцятах Ви можете за потребою переставляти: підніміть поличку та потягніть її до себе, нахиліть вниз та вийміть збоку. Підніміть контейнер та вийміть його.

Спеціальне устаткування

(залежно від моделі)

Підставка для пляшок

Малюнок **5**

В підставці для пляшок можна надійно розмістити пляшки.

Форма для приготування льоду

Мал. **11**

1. На $\frac{3}{4}$ наповніть форму для приготування льоду водою та поставте її до морозильної камери.
2. Якщо форма примерзне, звільніть її за допомогою тупого предмета (наприклад, ручки ложки).
3. Щоб вийняти кубики льоду, трохи потримайте форму під проточною водою або злегка переверніть її.

Календар із зазначенням термінів зберігання продуктів

Малюнок **10**

Не перевищуйте термінів зберігання заморожених продуктів, щоб їх якість не погіршала. Цифри поряд із символами показують допустимий строк зберігання заморожених продуктів у місяцях. Звертайте увагу на дату виготовлення і термін придатності пропонувані в торгівлі швидкозаморожених продуктів.

Акумулятор холоду

У разі перерви у подачі струму або неполадках акумулятор холоду сповільнює розмороження заморожених продуктів при зберіганні. Максимальне збільшення терміну зберігання можливе за допомогою акумулятора холоду, покладеного на продукти у верхньому відділенні.

Акумулятор холоду можна також використовувати для охолодження продуктів, напр., в холодильній сумці.

Комплект для сніданку

Малюнок **12**

Контейнери комплекту для сніданку можна виймати і заповнювати окремо.

Наклейка «ОК»

(залежно від моделі)

Наклейка «ОК» дає змогу перевіряти, чи опустилася температура в холодильному відділенні до рекомендованого для безпечного зберігання продуктів рівня +4 °С або нижче. Якщо на наклейці не показано «ОК», поетапно знизьте температуру.

Вказівка

Після введення приладу в експлуатацію до досягнення заданої температури може минути до 12 годин.



Правильне задане значення

Вимкнення та зупинка роботи приладу

Вимкнення приладу

Відключіть прилад від електромережі. Холодильник вимкнеться.

Завершення роботи приладу

Якщо прилад довго не використовуватиметься:

1. Відключіть прилад від електромережі.
2. Очистьте прилад.
3. Залиште дверцята приладу відчиненими.

Чищення приладу

Увага

- Не використовуйте засоби, які містять пісок, хлориди, кислоти або розчинники.
- Не використовуйте абразивні губки, що можуть залишати подряпини. Це може призвести до корозії металевих поверхонь.
- Заборонено мити полиці та контейнери в посудомийній машині. Ці елементи можуть деформуватися!

Під час миття бережіть від води зазначені нижче частини приладу.

- Елементи управління
- Лампи освітлення
- Вентиляційні отвори
- Отвори в ізолювальній панелі

Виконайте описані нижче дії.

1. Відключіть прилад від електромережі.
2. Вийміть заморожені продукти та покладіть у холодне місце. Покладіть на продукти акумулятор холоду (за наявності).
3. Під час миття бережіть від води елементи управління, лампи освітлення, вентиляційні отвори та отвори ізолювальної панелі! Чистьте прилад м'якою ганчіркою, змоченою в теплій воді з додаванням мийного засобу, що має нейтральну кислотність.

4. Протираючи ущільнювач дверцят, змочуйте ганчірку лише в чистій воді, а потім ретельно витирайте ущільнювач насухо.
5. Після чищення знову підключіть прилад до електромережі.
6. Завантажте вийняті продукти назад до приладу.

Устаткування

Для чищення всі пересувні елементи приладу виймаються.

Зняття дверних полиць

Мал. 4

Підніміть полицю та вийміть її.

Виймання скляних полиць

Для виймання скляних полиць тягніть їх до себе.

Виймання контейнерів

Мал. 8

Висуньте контейнер до упору, трохи підніміть його передню частину та витягніть із приладу.

Виймання контейнерів для продуктів

Мал. 9

До упору витягніть контейнер для продуктів, підніміть його передню частину та вийміть із приладу.

Світлодіодне освітлення

Цей прилад обладнано світлодіодною системою освітлення, яка не потребує технічного обслуговування.

Ремонтувати систему освітлення дозволено лише працівникам сервісної служби або вповноваженим спеціалістам.

Заощадження електроенергії

- Установіть прилад у сухому провітрюваному приміщенні. Не допускайте прямого потрапляння на прилад сонячних променів. Не ставте прилад поруч із джерелами тепла (такими як радіатор опалення, плита тощо).
- За необхідності використовуйте ізолювальну панель.
- Перш ніж завантажувати до приладу теплі страви та напої, слід дочекатися, доки вони не охолонуть.
- Розморозуйте заморожені продукти в холодильній камері. Холод, що виділятиметься у процесі їхнього розморозування, охолоджуватиме інші продукти в холодильній камері.
- Відчиняйте дверцята приладу на якомога коротший час.
- Для мінімізації споживання енергії слід залишити невелику відстань до стіни збоку приладу.
- Споживання електроенергії приладом не залежить від розташування елементів устаткування.

Шуми під час роботи

Нормальні шуми

Вказівка

Коли ввімкнено функцію швидкого заморожування, рівень шуму може бути вищим за звичайний.

Гудіння

Працюють двигуни (наприклад, систем охолодження або циркуляції повітря).

Дзюркотання, булькання або клекотання

Холодоагент тече трубопроводами.

Клацання

Двигун, перемикач або електромагнітні клапани вмикаються чи вимикаються.

Потріскування

Триває автоматичне відтавання.

Запобігання шумам

Прилад стоїть нерівно

Вирівняйте прилад за допомогою ватерпаса. Для цього використовуйте гвинтові ніжки або підкладки.

Прилад стоїть надто близько до інших предметів

Відсуньте прилад від розташованих поруч меблів або інших приладів.

Контейнери чи полиці хитаються або застрягають

Перевірте знімні елементи, за необхідності вийміть їх і встановіть правильно.

Пляшки або інші ємності торкаються одна одної

Розмістіть пляшки або інші ємності так, щоб між ними був невеликий проміжок.

Самостійне усунення незначних несправностей

Перш ніж звертатися до сервісної служби:

спробуйте усунути несправність, керуючись наведеними нижче вказівками.

Консультації спеціалістів сервісної служби платні – навіть якщо гарантійний строк ще не сплив!

Несправність	Можлива причина	Усунення
Фактичний рівень температури значно відрізняється від встановленого.		У деяких випадках достатньо вимкнути прилад на 5 хвилин. Якщо температура зависока, за кілька годин перевірте, чи наблизився фактичний рівень температури до встановленого. Якщо температура занижка, повторно перевірте температуру наступного дня.

Несправність	Можлива причина	Усунення
Лунає попереджувальний сигнал. Блимає індикатор температури. Мал. 2/8	Несправність — у морозильній камері надто тепло! Небезпека розморожування продуктів.	Щоб вимкнути попереджувальний сигнал, натисніть кнопку встановлення температури (мал. 2/6).
	Прилад відчинено.	Зачиніть прилад.
	Закрито вентиляційні отвори.	Забезпечте безперешкодну вентиляцію.
	Завантажено забагато продуктів.	Не перевищуйте максимальну заморозувальну здатність.
		Після усунення несправності індикатор температури припиняє блимати.
Температура в морозильній камері зависока.	Дверцята приладу часто відчинялися.	Не відчиняйте прилад без потреби.
	Закрито вентиляційні отвори.	Звільніть вентиляційні отвори.
	Завантажено велику кількість свіжих продуктів.	Не перевищуйте максимальну заморозувальну здатність.
Не працює освітлення.	Світлодіодні лампи вийшли з ладу.	Див. розділ «Світлодіодне освітлення».
	Прилад залишено відчиненим на надто тривалий час. Освітлення вимикається приблизно через 10 хвилин.	Щоб освітлення знову ввімкнулося, зачиніть і відчиніть прилад.
Зменшення яскравості підсвічення елементів управління.	Якщо з приладом певний час не виконували жодних дій, індикатори на панелі управління переходять в енергоощадний режим.	Після виконання якої-небудь дії з приладом (наприклад, відчинення дверцят) відновлюється звичайна яскравість підсвічення індикаторів.
Не світиться індикація.	Порушення електропостачання; спрацював автоматичний вимикач / перегорів плавкий запобіжник; вилка не вставлена в розетку належним чином.	Вставте вилку в розетку. Перевірте електропостачання. Перевірте автоматичні вимикачі / плавкі запобіжники.

Несправність	Можлива причина	Усунення
Прилад не генерує холод, світяться індикатор температури й лампи освітлення.	Активовано виставковий режим.	Натисніть і 10 секунд утримуйте кнопку встановлення температури (мал. 2/2), доки не пролунає сигнал підтвердження. Через деякий час перевірте, чи генерує прилад холод.
Дверцята морозильної камери були тривалий час відчинені; температура не досягається.	Випарник (генератор холоду) в системі NoFrost покритися сильно льодом і не може автоматично розморозитися.	Для розмороження випарника вийміть заморожені продукти з боксами та покладіть, добре закривши, у холодне місце. Вимкніть прилад та відставте від стіни. Дверцята приладу залишіть відкритими. Після прибл. 20 хв. тала вода почне стікати до випарної ванночки на спинці приладу. Щоб тала вода не переливалася через край випарної ванночки вберіть її губкою. Якщо тала вода не стікає більш до випарювальної ємності, то випарник розморозився. Прочистіть всередині. Ввімкніть прилад знову.
На поверхні приладу й полицях у приладі утворюється конденсат.	Тепле й вологе довкілля посилює цей ефект.	Витріть воду м'якою сухою ганчіркою. <ul style="list-style-type: none"> ■ Відчиняйте прилад на якомога коротший час. ■ Пильнуйте, щоб дверцята приладу завжди були правильно зачинені.

Сервісна служба

Контактні дані сервісної служби можна знайти в телефонному довіднику або списку сервісних центрів. Під час звернення до сервісної служби слід назвати серійний (E-Nr.) і заводський (FD-Nr.) номери приладу.

Вони вказані на паспортній табличці. Мал. 13

Назвавши серійний і заводський номери, ви допоможете спеціалістам сервісної служби уникнути непотрібного виїзду. Це звільнить вас від додаткових пов'язаних із цим витрат.

Заявки на ремонт і консультації з усунення несправностей

Контактні дані сервісної служби в різних країнах можна знайти у списку сервісних центрів, що додається.

Biztonsági útmutatások és figyelmeztetések

Mielőtt a készüléket használatba veszi

Figyelmesen olvassa végig a használati és szerelési utasítást! Fontos tanácsokat kap a készülék beszerelésére, használatára és karbantartására vonatkozóan.

A gyártó nem vállal szavatosságot, ha Ön figyelmen kívül hagyja a használati utasításban tartalmazott útmutatásokat és figyelmeztetéseket. Minden dokumentumot őrizzen meg a későbbi használatához vagy a későbbi tulajdonos számára.

Műszaki biztonság



Tűzveszély

A hűtőkör csöveiben csekély mennyiségű környezetbarát, de éghető hűtőközeg (R600a) folyik. Ez nem károsítja az ózonréteget, és nem fokozza az üvegházhatást. A hűtőközeg kilépése esetén szemsérülést okozhat, vagy meggyulladhat.

Sérülés esetén

- a nyílt lángot vagy a gyújtóforrásokat távol kell tartani a készüléktől,
- a helyiséget néhány percig jól ki kell szellőztetni,
- kapcsolja ki a készüléket és húzza ki a hálózati csatlakozót,
- értesíteni kell a vevőszolgálatot.

Minél több hűtőközeg van egy gépben, annál nagyobbak kell lenni a helyiségnek, ahol a gép áll. Kis helyiségekben szivárgás esetén gyúlékony gáz-levegő elegy képződik.

A helyiségnek legalább 1 m³-nek kell lennie minden 8 g hűtőanyag után. A készülékében levő hűtőközeg-mennyiséget megtalálja a gép típustábláján.

A készülék felállításakor ügyelni kell arra, hogy a hálózati csatlakozóvezeték ne szoruljon be, ne sérüljön meg.

Ha meghibásodik a készülék hálózati csatlakozóvezetéke, a gyártónak, a vevőszolgálatnak vagy egy hasonlóan szakképzett szakembernek kell kicserélnie. A szakszerűtlen szerelés és javítás komoly veszélybe sodorhatja a felhasználót.

Javításokat csak a gyártó, a vevőszolgálat vagy egy hasonlóan szakképzett személy végezhet.

Kizárólag a gyártó eredeti alkatrészeit szabad használni. Csak ezeknél az alkatrészeknél garantálja a gyártó, hogy teljesítik a biztonsági előírásokat.

Ne használjon többszörös csatlakozóaljzatot, hosszabbító kábelt vagy adaptert.



Tűzveszély

Hordozható többszörös csatlakozóaljzatok és hordozható hálózati tápegységek túlhevülhetnek, és tüzet okozhatnak.

Ne helyezzen a készülék mögé hordozható többszörös csatlakozóaljzatokat és hordozható hálózati tápegységeket.

Használat közben

- Soha ne használjon a készülék belsejében elektromos készüléket (pl. fűtőeszközt, elektromos jégkockakészítőt stb.). **Robbanásveszély!**
- A készülék leolvasztását, tisztítását soha ne végezze gőztisztító készülékkel! A gőz rákerülhet az elektromos alkatrészekre, és rövidzárlatot okozhat. **Áramütésveszély!**

- A gyártó utasításainak betartása mellett ne tegyen további intézkedéseket a leolvasztás gyorsítására. **Robbanásveszély!**
- A dér- és a jégrétegek eltávolításához ne használjon hegyes vagy éles szélű tárgyakat. Ezzel megsértheti a hűtőcsöveket. A kifröccsenő hűtőközeg meggyulladhat vagy szemsérülést okozhat.
- Ne tároljon gyúlékony hajtógázt tartalmazó terméket (pl. spray-t) és robbanékony anyagot. **Robbanásveszély!**
- A lábazatot, a kihúzható polcokat, az ajtókat stb. ne használja fellépőként vagy támaszkodó felületként.
- Leolvasztáshoz és tisztításhoz húzza ki a hálózati csatlakozódugót vagy kapcsolja le a biztosítót. A hálózati csatlakozódugónál, nem pedig a csatlakozó kábelnél fogva húzza ki.
- Tömény alkoholt csak szorosan lezárva, álló helyzetben tároljon.
- A műanyag részeket és az ajtó tömítést ne szennyezze be olajjal vagy zsírral. Az ajtó tömítés és a műanyag részek egyébként porózussá válhatnak.

■ **Kockázatok elkerülése gyermekek és veszélyeztetett személyek esetében:**

Veszélyeztetettnek azok a gyermekek és személyek tekintendők, akik testi, mentális vagy érzékszervi szempontból korlátozottak, valamint azok, akik nem rendelkeznek elegendő ismerettel a készülék biztonságos kezeléséről.

Biztosítsa, hogy a gyermekek és a veszélyeztetett személyek megértsék a veszélyeket.

Egy biztonságért felelős személynek felügyelnie vagy irányítania kell a gyermekeket és a veszélyeztetett személyeket a készüléknél.

A készüléket csak 8 évnél idősebb gyermekek használhatják.

Tisztítás és karbantartás közben felügyelni kell a gyermekeket.

Soha ne engedjen gyermekeket a készülékkel játszani.

- A készülék szellőztető és légtelenítő nyílásait soha ne fedje le, ne torlaszolja el.
- A fagyasztótérben ne tároljon folyadékot palackban vagy dobozban (különösen szénsavas italt). A palackok és dobozok kidurranhatnak!

- A fagyasztott terméket soha ne vegye a szájába rögtön azután, hogy kivette a fagyasztótérből.
Fagyás-égésveszély!
- Ügyeljen rá, nehogy túl hosszú ideig érintkezzen a keze a fagyasztott áruval, a jéggel vagy a párástító csövekkel stb.
Fagyás-égésveszély!

Gyermekek a háztartásban

- A csomagolást és azok darabjait ne adja a gyermekek kezébe!
A hajtogatott dobozok és a fóliák fulladásveszélyt jelentenek!
- A készülék nem játékszer a gyermekeknek!
- Ajtózáras készülék esetén: A kulcsot olyan helyen tárolja, ahol a gyermekek nem férnek hozzá!

Általános rendelkezések

A készülék alkalmazása

- élelmiszerek hűtésére és fagyasztására,
- jégkészítésre.

Ez a készülék magánháztartásokban való használatra és otthoni környezethez készült.

A hűtőközeg-keringtető rendszer tömítettségét ellenőriztük.

Ez a készülék megfelel az elektromos készülékekre vonatkozó biztonsági előírásoknak, és rádió-zavarmentesített.

Ezt a készüléket legfeljebb 2000 méter tengerszint feletti magasságig való használatra tervezték.

Hulladék-ártalmatlanítási útmutatások

A csomagolási hulladék ártalmatlanítása

A csomagolás védi a készülékét a szállítási sérülésektől. Minden felhasznált anyag összefér a környezettel és újra értékesíthető. Kérjük, segítsen Ön is: környezetbarát módon ártalmatlanítsa a csomagolást.

Az aktuális hulladék-ártalmatlanítási lehetőségekről tájékozódjon a települési önkormányzatnál vagy a szakkereskedőnél, akinél a készüléket vásárolta.

A használt készülék ártalmatlanítása

A használt készülék nem értéktelen hulladék! Környezetbarát ártalmatlanításával értékes nyersanyag nyerhető.



Ez a készülék az elhasznált villamossági és elektronikai készülékekről szóló 2012/19/EU irányelvnek megfelelő jelölést kapott.

Ez az irányelv a már nem használt készülékek visszavételének és hasznosításának EU-szerte érvényes kereteit határozza meg.

Figyelmeztetés

Elhasznált készülékek esetén

1. Húzza ki a hálózati villásdugót.
2. Vágja le a csatlakozó kábelt és távolítsa el a villásdugóval együtt.
3. A polcokat és tartályokat ne vegye ki, hogy a gyermekeknek megnehezítse a bemászást!
4. Nem szabad megengedni, hogy gyermekek játsszanak a már használaton kívüli készülékkel. Fulladásveszély!

A hűtőgépek hűtőközeget és a szigetelésben gázokat tartalmaznak. A hűtőközegeket és a gázokat szakszerűen kell kezelni és ártalmatlanítani. A hűtőközeget keringtető csöveket egészen a szakszerű ártalmatlanításig nem szabad megsérteni.

Csomagolás tartalma

Kicsomagolás után ellenőrizze az összes alkatrészt az esetleges szállítási károk tekintetében.

Kifogásolások esetén forduljon ahhoz a kereskedőhöz, akinél a készüléket vásárolta, vagy a vevőszolgálatunkhoz.

A szállítmány a következő részekből áll:

- Álló készülék
- Felszerelés (modelltől függően)
- Tasak szerelőanyaggal
- Használati útmutató
- Szerelési útmutató
- Ügyfélszolgálati füzet
- Garancia-melléklet
- Energiafogyasztásra és zajokra vonatkozó információk

Felállítási hely

Felállítási helynek alkalmas egy száraz, szellőztethető helyiség. A felállítási hely ne legyen kitéve közvetlen napsugárzásnak, és ne legyen hőforrás, mint tűzhely, fűtőtest, stb. közvetlen közelében! Ha elkerülhetetlen, hogy hőforrás közelében állítsa föl, használjon megfelelő szigetelőlapot vagy tartsa be az alábbiakban megadott minimális távolságokat a hőforrástól:

- Elektromos vagy gáztűzhelyhez 3 cm.
- Olaj- vagy széntüzelés kályháktól 30 cm.

A padlónak a felállítás helyén nem szabad engednie, a padlót esetleg meg kell erősíteni. A padló esetleges egyenetlenségeit alátétekkel egyenlítő ki.

Faltávolság

A készüléket úgy állítsa fel, hogy biztosítva legyen a 90°-os ajtónyitási szög.

Vegye figyelembe a szobahőmérsékletet és a szellőztetést

Szobahőmérséklet

A készülék meghatározott klímaosztályra van méretezve. A klímaosztálytól függően a készüléket a következő szobahőmérsékleteken lehet működtetni.

A klímaosztály a típus táblán van, **13** ábra.

Klímaosztály	Megengedett szobahőmérséklet
SN	+10 °C-tól 32 °C-ig
N	+16 °C-tól 32 °C-ig
ST	+16 °C-tól 38 °C-ig
T	+16 °C-tól 43 °C-ig

Útmutatás

A készülék a megadott klímaosztály szobahőmérséklet-határértékein belül teljesen működőképes. Ha a SN klímaosztályú készüléket alacsonyabb szobahőmérsékleten működtetik, +5 °C hőmérsékletig kizárható a készülék meghibásodása.

Szellőztetés

3. ábra

A levegő a készülék hátoldalán és az oldalfalain felmelegszik. A felmelegedett levegőnek akadálytalanul el kell tudni távoznia. Máskülönben a hűtőgépnél többet kell teljesítenie. Ez pedig növeli az áramfogyasztást. Ezért a levegőztető- és szellőző nyílásokat soha ne fedje be vagy torlaszolja el!

A készülék csatlakoztatása

A készülék felállítása után legalább 1 órát kell várni, amíg üzembe helyezheti a készüléket. Szállítás közben előfordulhat, hogy a kompresszorban levő olaj eltolódik a hűtőrendszerben.

Első használatba vétel előtt meg kell tisztítani a készülék belsejét (lásd „A készülék tisztítása”).

Elektromos csatlakoztatás

A dugaszolóaljzatnak a készülék közelében és a készülék felállítása után is szabadon hozzáférhetőnek kell lennie.

Figyelmeztetés

Áramütésveszély!

Amennyiben a hálózati csatlakozóvezeték nem elég hosszú, semmiképpen se használjon többszörös csatlakozóaljzatot vagy hosszabbító kábelt. Ehelyett vegye fel a kapcsolatot a vevőszolgálattal, hogy más megoldást találjon.

A készülék megfelel az I. érintésvédelmi osztálynak. A készüléket egy előírászerűen felszerelt, védővezetékes dugaszolóaljzaton keresztül 220-240 V/ 50 Hz váltakozó áramra csatlakoztassa. A dugaszolóaljzatot 10–16 A-es biztosítóval kell biztosítani.

Azoknál a készülékeknél, amelyeket Európán kívüli országokban üzemeltetnek, ellenőrizze, hogy a megadott feszültség és áramfajta megegyezik-e a helyi áramhálózat értékeivel. Ezeket az adatokat a típus táblán találja meg, **13.** ábra.

Figyelmeztetés

A készüléket semmi esetre sem szabad elektronikus energiatakarékos csatlakozódugóra csatlakoztatni.

Készülékeink használatához hálózat- és szinuszos vezérlésű váltóirányítókat lehet alkalmazni. Hálózat-vezérlésű váltóirányítókat használnak minden olyan fotovoltaiikus berendezésnél, amelyet közvetlenül a nyilvános villamos hálózatra csatlakoztatnak. Különálló megoldások esetén (pl. hajókon vagy hegyi turistaházakban), amelyeknek nincs közvetlen csatlakozásuk a nyilvános villamos hálózatra, szinuszos vezérlésű váltóirányítókat kell alkalmazni.

Ismerje meg a készüléket



Hajtsa ki az utolsó oldalt az ábrákkal. Ez a használati útmutató több modellre érvényes.

A modellek felszerelése eltérő lehet. Az ábránál eltérések lehetnek.

1. ábra

* Nem minden modellnél.

- A Hűtőtér
- B Fagyasztótér

- 1–9 Kezelőelemek
- 10 Tartópolc kis üvegek számára
- 11 Tartópolc nagy üvegek számára
- 12 Világítás
- 13* Palack-tartópolc
- 14 Hűtő-tároló rekesz
- 15 Zöldségtartó nedvesség-szabályozóval
- 16 Fagyasztótartály (kicsi)

Kezelőelemek

2. ábra

- 1 **alarm kijelzés**
Világít, ha a készülékben túl meleg van.
- 2 **Hűtőtér hőmérséklet-beállító gombja**
A gombbal a hűtőtér hőmérsékletét állítja be.
- 3 **A „super” kijelző**
Akkor világít, ha a szupererős hűtés működik.
- 4 **Hőmérséklet-kijelző a hűtőtérben**
A számok a beállított hűtőtér-hőmérsékleteknek felelnek meg °C-ban.
- 5 **„eco mode” kijelzés**
Kiemelésre kerül, ha az „eco” üzemmód be van kapcsolva a hűtőtérben.
- 6 **Fagyasztótér hőmérsékletét beállító gomb**
A gombbal a fagyasztótér hőmérsékletét állítja be.
- 7 **A „super” kijelző (Fagyasztótér)**
Csak akkor világít, ha a szupererős hűtés üzemel.
- 8 **Hőmérséklet-kijelző a fagyasztótérben**
A számok a beállított fagyasztótér-hőmérsékleteknek felelnek meg °C-ban.
- 9 **„eco mode” kijelzés**
Kiemelésre kerül, ha az „eco” üzemmód be van kapcsolva a fagyasztótérben.

A készülék bekapcsolása

2. ábra

1. A csatlakozódugót dugja a csatlakozóaljzatba.
2. Figyelmeztető hangjelzés hangzik fel. A hőmérsékletjelző 8 villog.
3. Nyomja meg a hőmérséklet-beállító gombot 2. Kikapcsol a figyelmeztető hang.

Ha a fagyasztótér elérte a beállított hőmérsékletet, világít a hőmérsékletjelző 8.

Gyárilag a következő beállításokat ajánljuk:

- Hűtőtér: közepes beállítás
- Fagyasztótér: -18 °C

Az érzékeny élelmiszereket a hűtőtérben tárolja.

Útmutatások az üzemeltetéshez

- Bekapcsolás után több óráig eltarthat, amíg a készülék eléri a beállított hőmérsékleteket.
- A teljesen automatikus NoFrost rendszernek köszönhetően a fagyasztótér jégmentes marad. Nincs szükség leolvasztásra.
- A készülékház homlokoldali részben kissé fel vannak fűtve, ez megakadályozza a bepárasodás kialakulását az ajtó tömítés tartományában.
- Ha a fagyasztótér ajtaját becsukás után nem lehet azonnal újra kinyitni, várjon egy pillanatig, amíg a keletkezett vákuum kiegyenlítődik.

A hőmérséklet beállítása

Hűtőtér

A hőmérséklet $+2\text{ °C}$ és $+8\text{ °C}$ közötti értékre állítható be.

A hőmérséklet-beállító gombot 2 nyomja meg annyiszor, amíg be nem állította a kívánt hűtőtér-hőmérsékletet.

A készülék az utoljára beállított értéket tárolja. A beállított hőmérséklet a hőmérsékletjelzőn 4 jelenik meg.

Útmutatás

A választott hőmérséklet eléréséhez nyissa ki a **6.** ábrán látható szellőzőnyílásokat 1/3 állásba.

Fagyasztótér

A hőmérséklet -16 °C és -24 °C közötti értékre állítható be.

A hőmérséklet-beállító gombot 6 nyomja meg annyiszor, amíg be nem állította a kívánt fagyasztótér-hőmérsékletet.

A készülék az utoljára beállított értéket tárolja. A beállított hőmérséklet a hőmérsékletjelzőn 8 jelenik meg.

Gyárilag a fagyasztótérben -18 °C beállítását javasoljuk.

eco

Az eco funkcióval átkapcsolja a készüléket energiatakarékos üzemmódba.

A készülék automatikusan beáll a következő hőmérsékletekre:

- Hűtőtér: +8 °C
- Fagyasztótér: -16 °C

Eco bekapcsolása

A hőmérséklet-beállító gombot 6 nyomja meg annyiszor, hogy az „eco” kijelző világítson.

- vagy ha túl sokáig maradt nyitva a fagyasztótér ajtaja.

Útmutatás

A felolvasztott mélyhűtött élelmiszert nem szabad újra lefagyasztani. Csak akkor lehet ismét lefagyasztani, ha feldolgozta (megfőzte, megsütötte) készétellé.

De ekkor már ne használjuk ki a maximális tárolási időt.

Riasztás kikapcsolása

2. ábra

Nyomja meg az hőmérséklet-beállító gombot 6 a figyelmeztető hangjelzés kikapcsolásához.

Alarm-funkciók

2. ábra

Alarm-jelzés az ajtónál

Az ajtóriasztás (folyamatos hangjelzés) akkor kapcsol be, ha a készülék ajtaja 1 percnél hosszabb ideig nyitva áll. Az ajtó bezárása által kikapcsol a figyelmeztető hangjelzés.

Magas hőmérsékletre figyelmeztető jelzés

A magas hőmérsékletre figyelmeztető jelzés akkor kapcsol be, ha a fagyasztótérben túl meleg van, és a fagyasztott termék veszélyben van.

A hőmérsékletjelző, 2/8 ábra, villog.

A fagyasztott termékek veszélyeztetése nélkül bekapcsolhat a riasztás:

- a gép üzembe helyezésekor,
- nagy mennyiségű friss élelmiszer elhelyezésekor,

Hasznos térfogat

A hasznos térfogatra vonatkozó adatokat készülékében a típustáblán találhatja. 13. ábra

A fagyasztó térfogat teljes kihasználása

A tartályokat ki lehet venni, ha maximális mennyiségű fagyasztandó terméket szeretne betenni. Az élelmiszereket ekkor közvetlenül a polcon és a fagyasztótér alján helyezheti el.

Útmutatás

Kerülje, hogy az élelmiszerek a hátfalhoz érjenek. Máskülönben csökken a légkeringés.

Az élelmiszerek vagy a csomagolások odafagyhatnának a hátfalhoz.

A felszerelés elemeinek kiszedése

A fagyasztótartályt ütközésig húzza ki, elől emelje meg, és vegye ki. 9. ábra

A hűtőtér

A hűtőtér ideális hely hús, kolbászfélék, hal, tejtermékek, tojás, készételek és sütemények számára.

Amire figyelni kell a behelyezésnél

- Friss, sértetlen élelmiszereket helyezzen be. Így tovább megmarad a minőség és a frissesség.
- Késztermékeknel és csomagolt áruknál figyelembe kell venni a gyártó által megjelölt eltarthatósági vagy fogyaszthatósági időt.
- Az aroma, a szín és a frissesség megőrzéséhez az élelmiszereket jól becsomagolva vagy lefedve helyezze el. Így elkerülheti a hűtőtérben a műanyag elemek szagának átterjedését és az elszíneződéseket.
- A meleg ételeket és italokat először hűtse le, azután tegye be a hűtőbe!

Útmutatás

A levegő-kilépőnyílásokat ne torlaszolja el élelmiszerekkel, hogy ne akadályozza a levegő keringését! A közvetlenül a levegő-kilépőnyílások előtt elhelyezett élelmiszerek a kiáramló hideg levegő miatt megfagyhatnak.

Ügyeljen a hűtési tartományokra a hűtőtérben

A hűtőtérben a levegő-cirkuláció révén különböző hőmérsékletű tartományok alakulnak ki:

- A leghidegebb zónák a levegő-kilépőnyílások előtt és a hideg tárolórekeszben vannak, **1**/14. ábra.

Útmutatás

A hűtőtér leghidegebb részében tárolja az érzékeny élelmiszereket (pl. hal, kolbász, hús).

- A legmelegebb tartomány az ajtó felső részénél van.

Útmutatás

A legmelegebb helyen tárolja pl. a kemény sajtot és a vaját. A kemény sajt így tovább megőrzi aromáját, a vaj pedig kenhető marad.

Zöldségtartó nedvességszabályozóval

7. ábra

A zöldség és gyümölcs számára optimális tárolási környezet megteremtése érdekében a zöldségtartóban be lehet állítani a páratartalmat:

- túlnyomórészt zöldség, valamint vegyes élelmiszerek vagy kis mennyiségű élelmiszer esetén – magas páratartalom
- túlnyomórészt gyümölcs, valamint nagy mennyiségű élelmiszer esetén – alacsony páratartalom

Útmutatások

- A hidegre érzékeny gyümölcsöt (pl. ananászt, banánt, papayát és citrusféléket) és zöldséget (pl. padlizsánt, uborkát, cukkinit, paprikát, paradicsomot és burgonyát) a minőség és aroma optimális megőrzése érdekében a hűtőszekrényen kívül, körülbelül +8 °C és +12 °C közötti hőmérsékleten kell tárolni.

- A tárolt mennyiségtől és a tárolt terméktől függően kondenzvíz képződhet a zöldségtartóban. A kondenzvizet száraz kendővel távolítsa el, és a nedvesség-szabályozóval állítsa be a levegő páratartalmát a zöldségtartóban.

Hűtő-tároló rekesz

6. ábra

A hűtő-tároló rekeszben alacsonyabb a hőmérséklet, mint a hűtőtérben. 0 °C alatti hőmérsékletek is előfordulnak.

Ideális hal, hús és kolbászáru tárolására. Nem alkalmas saláta és zöldség és hidegre érzékeny áruk számára.

A hűtő-tároló rekeszek hőmérsékletét a szellőzőnyílás segítségével változtathatja. A hőmérséklet-szabályozót tolja felfelé a hőmérséklet csökkentéséhez. A hőmérséklet-szabályozót tolja lefelé a hőmérséklet növeléséhez. **6.** ábra

Szupererős hűtés

Szupererős hűtésnél a hűtőtér kb. 15 órán keresztül olyan hidegre hűl le, amilyenre csak lehet. Ezután automatikusan a szupererős hűtés előtt beállított hőmérsékletre áll vissza.

A szupererős hűtés bekapcsolása, pl.

- nagy mennyiségű élelmiszer berakása előtt.
- italok gyorshűtéséhez.

Útmutatás

Ha be van kapcsolva a szupererős hűtés, megnövekedhet az üzemi zajszint.

Be- és kikapcsolás

2. ábra

A hőmérséklet-beállító gombot 2 nyomja meg annyiszor, hogy a super kijelző 3 világitson.

agyasztótér

A fagyasztótér használata

- Mélyhűtött élelmiszerek számára.
- Jégkocka készítésre.
- Élelmiszerek lefagyasztásához.

Útmutatás

Ügyeljen arra, hogy fagyasztótér ajtaja mindig csukva legyen! Nyitott ajtónál a mélyhűtött termék felenged.

A fagyasztótér túlságosan eljegesedik. Ezen kívül, a fokozott áramfogyasztás következtében energiát pazarol!

Maximális fagyasztóteljesítmény

A 24 órás max. fagyasztóteljesítményre vonatkozó adatokat a típus táblán találja meg. **13.** ábra

A max. fagyasztó teljesítmény előfeltételei

- A szupererős fagyasztást a friss áru behelyezése előtt kapcsolja be (lásd a Szupererős fagyasztás c. fejezetet).
- Vegye ki a tartályokat; az élelmiszereket közvetlenül a polcon és a fagyasztótér alján helyezze el.

- A nagyobb mennyiségű élelmiszereket előnyös a legfelső rekeszben lefagyasztani. Ott különösen gyorsan és így kíméletesen lefagyaszthatók.

Fagyasztás és tárolás

Mélyhűtött étel vásárlása

- A csomagolásnak nem szabad sérültnek lennie.
- Vegye figyelembe a szavatossági időt!
- Hőmérséklet az árusító hűtőládában: -18 °C vagy alacsonyabb kell legyen.
- A mélyhűtött ételt lehetőleg szigetelőtáskában kell szállítani, és gyorsan bele kell tenni a fagyasztószerénybe.

Mire ügyeljen az elrendezésnél

- A nagyobb mennyiségű élelmiszereket előnyös a legfelső rekeszben lefagyasztani. Ott különösen gyorsan és így kíméletesen lefagyaszthatók.
- Az élelmiszereket szétterítve tegye a rekeszekbe ill. a fagyasztótartályokba.

Útmutatás

A már fagyott élelmiszereknek nem szabad érintkezniük a frissen fagyasztandó élelmiszerekkel. Adott esetben a lefagyasztott élelmiszereket át kell rakni más fagyasztótartályokba.

Mélyhűtött termék tárolása

A kifogástalan levegőkeringtetés biztosításához tolja be ütközésig a fagyasztótartályt.

Friss élelmiszerek lefagyasztása

Lefagyasztásra kizárólag friss és kifogástalan élelmiszert használjon.

A zöldséget lefagyasztás előtt blansírozni kell, hogy minél tovább megőrizze tápértékét, aromáját és színét.

A padlizsán, a paprika, a cukkini és a spárga esetében nincs szükség blansírozásra.

A lefagyasztásról és blansírozásról szóló irodalmat megtalálja a könyvesboltban.

Útmutatás

A lefagyasztandó áru ne érjen hozzá a már lefagyasztott áruhoz.

- Fagyasztásra alkalmas: Sütemények, hal és tenger gyümölcsei, hús, vadhús, baromfihús, zöldség, gyümölcs, zöldségfűszerek, tojás héja nélkül, tejtermékek, úgymint sajt, vaj és túró, készételek és maradék ételek, úgymint levesek, egytálételek, sült hús és hal, burgonyás ételek, felfújtak és édességek.
- Fagyasztásra nem alkalmas: Zöldségfajták, amelyek szokás szerint nyersen fogyasztandók, mint pl. fejes saláta vagy sörretek, tojás héjában, szőlő, egész alma, körte és őszibarack, kemény tojás, joghurt, aludttej, tejföl, crème fraîche és majonéz.

A fagyasztandó termék csomagolása

Az élelmiszert légmentesen csomagolja, hogy ne veszítse el az ízt és megőrizze nedvességtartalmát.

1. Helyezze bele az élelmiszert a csomagolásba.
2. Nyomkodja ki a levegőt.
3. A csomagolást szorosan zárja le.
4. A csomagoláson tüntesse fel a tartalmat és a lefagyasztás dátumát.

Csomagolásra alkalmasak:

Műanyag fólia, polietilén tömlőfólia, alufólia, fagyasztó dobozok. Ezeket a termékeket szaküzletekben találja meg.

Csomagolásra nem alkalmasak:

Csomagolópapír, pergamenpapír, celofán, szemeteszacskók és használt bevásárlózacskók.

A lezárásra alkalmasak:

Gumigyűrűk, műanyag kapcsok, kötőfonalak, hidegálló ragasztószalagok vagy hasonlóak.

A polietilén zacskókat és tömlőfóliákat fóliahegesztővel is le lehet hegeszteni.

A mélyhűtött termékek eltarthatósága

Az eltarthatóság az élelmiszerek fajtájától függ.

-18 °C-ra beállított hőmérséklet esetén:

- hal, kolbász, készétel, péksütemény: 6 hónapig
- sajt, baromfi, hús: 8 hónapig
- zöldség, gyümölcs: 12 hónapig

Szupererős fagyasztás

Az élelmiszereket lehetőleg nagyon gyorsan teljesen át kell fagyasztani, hogy a vitaminokat, tápértékeket, a külalakot és az ízt megőrizzék.

A hőmérséklet nemkívánatos emelkedésének elkerülésére a friss élelmiszerek behelyezése előtt néhány órával kapcsolja be a szupererős fagyasztást.

Általában elegendő 4–6 óra.

A készülék ezt követően folyamatosan hűt, a fagyasztótér hőmérséklete nagyon alacsony lesz.

Ha a max. fagyasztó teljesítményre van szükség, a szupererős fagyasztást 24 órával a friss áru behelyezése előtt be kell kapcsolni.

Kisebb mennyiségű (max. 2 kg) élelmiszert szupererős fagyasztás nélkül le lehet fagyasztani.

Útmutatás

Ha be van kapcsolva a szupererős fagyasztás, növekedhet az üzemi zajszint.

Be- és kikapcsolás

2. ábra

A hőmérséklet-beállító gombot 6 nyomja meg annyiszor, hogy a super kijelző 7 világitson.

A szupererős fagyasztás kb. 2½ nap után automatikusan kikapcsol.

A mélyhűtött termékek felolvasztása

Fajtától és a felhasználás céljától függően a következő lehetőségek közül lehet választani:

- szobahőmérsékleten
- hűtőszekrényben
- villansütőben, forrólevegős ventilátorral/anélkül
- mikrohullámú készülékben



Figyelem

A felolvasztott mélyhűtött élelmiszert nem szabad újra lefagyasztani. Csak akkor lehet ismét lefagyasztani, ha feldolgozta (megfőzte, megsütötte) készétellé.

A mélyhűtött termék max. tárolási időtartamát már ne használja ki teljesen.

Felszerelés

Tartópolcok és tartórekeszek

A belső tér és az ajtó tartórekeszének tartópolcait igény szerint variálhatja: Húzza előre a tartópolcot, engedje le és oldalra fordítva húzza ki. Kissé emelje meg a tartórekeszeket és vegye ki őket.

Extra felszerelés

(nem minden modellnél)

Palack-tartópolc

5. ábra

A palack-tartópolcon palackokat lehet tárolni.

Jégkocka-tartó

11. ábra

1. A jégkocka-tartót $\frac{3}{4}$ részig töltsse meg ivóvízzel, és helyezze a fagyasztótérbe.
2. Az erősen lefagyott jégkocka-tartót csak tompa tárgyakkal szedje föl (kanálnyeléssel).
3. A jégkockák kiszedéséhez tartsa a jégkocka-tartót rövid időre folyó víz alá, vagy kissé csavarja el.

Fagyasztott áru naptár

10. ábra

A fagyasztott termék minőségromlásának elkerülése érdekében ne lépje túl a tárolási időt. A szimbólumok melletti számok hónapokban adják meg a megengedett tárolási időtartamokat a fagyasztott termék számára. A kereskedelmi forgalomban levő mélyhűtött élelmiszerek esetében vegye figyelembe a gyártási vagy szavatossági időt.

Hűtőakku

Áramkimaradás vagy zavar esetén a hűtőakku késlelteti a betárolt fagyasztott termékek felmelegedését. A leghosszabb tárolási időt úgy éri el, hogy a hűtőakkut a legfelső rekeszben az élelmiszerekre helyezi.

A hűtőakkut fel lehet használni élelmiszerek ideiglenes hidegen tartásához is, pl. egy hűtőtáskában.

Reggeli-készlet

12. ábra

A reggeli-készlet tartályait egyenként ki lehet venni és fel lehet tölteni.

„OK” matrica

(nem minden modellnél van)

Az „OK” matricával ellenőrizheti, hogy a hőmérséklet a hűtőtérben eléri-e az élelmiszerek számára ajánlott biztonságos tartományokat, azaz +4 °C, vagy alacsonyabb. Ha a matrica nem mutatja, hogy „OK”, akkor fokozatosan csökkentse a hőmérsékletet.

Útmutatás

A készülék üzembe helyezése után akár 12 óráig is eltarthat, amíg eléri a beállított hőmérsékletet.



Helyes beállítás

A készülék kikapcsolása és leállítása

A készülék kikapcsolása

Húzza ki a villásdugót vagy kapcsolja le a biztosítékot.

A hűtőgép kikapcsol.

A készülék leállítása

Ha a készüléket hosszabb ideig nem kívánja használni:

1. Húzza ki a hálózati csatlakozót, vagy kapcsolja le a biztosítékot.
2. Tisztítsa ki a készüléket.
3. A készülék ajtaját hagyja nyitva.

A készülék tisztítása



Figyelem

- Ne használjon homok-, klorid- vagy savtartalmú tisztító- és oldószereket!
- Ne használjon dörzsölő vagy karcoló felületű szivacsokat.

A fém felületeken korrózió jelenhet meg.

- A tartópolcokat és tartályokat ne tisztítsa mosogatógépben.

Az alkatrészek deformálódhatnak!

A tisztításhoz használt víz nem kerülhet a következő területekre:

- Kezelőelemek
- Világítás
- Szellőzőnyílások
- Az elválasztó lap nyílásai

Az alábbiak szerint járjon el:

1. Húzza ki a hálózati csatlakozót, vagy kapcsolja le a biztosítékot.
2. Vegye ki és tárolja hűvös helyen a fagyasztott árut. A hűtőakkut (ha van) helyezze rá az élelmiszere.
3. A mosogatóvíz nem juthat a kezelőelemekbe, a világításba, a szellőzőnyílásokba és az elválasztó lemez nyílásaiba!
A készüléket puha kendővel, langyos vízzel és kevés, semleges pH-értékű mosogatószerrel tisztítsa meg.
4. Az ajtótomítést csak tiszta vízzel törölje át, és utána dörzsölje szárazra.
5. Tisztítás után csatlakoztassa ismét a készüléket.
6. Helyezze vissza a mélyhűtött élelmiszereket.

Felszerelés

Tisztításhoz a készülék minden variálható elemét ki lehet venni.

Az ajtóban lévő polcok kiserelése

4. ábra

Emelje meg felfelé, és vegye ki a polcokat.

Üvegpolcok kivétele

Az üvegpolcokat húzza előre, és vegye ki.

A tartály kivétele

8. ábra

A tartályt ütközésig húzza ki, elől emelje meg, és vegye ki.

A fagyasztótartály kivétele

9. ábra

A fagyasztótartályt ütközésig húzza ki, elől emelje meg, és vegye ki.

LED világítás

Az Ön készüléke karbantartást nem igénylő LED világítással van felszerelve. Ezen a világításon csak a vevőszolgálat vagy az erre feljogosított szakemberek végezhetnek javítást.

Energiatakarékosság

- A készüléket száraz, jól szellőző helyiségben helyezze el! A készüléket ne helyezze közvetlen napos helyre vagy hőforrás közelébe (pl. hűtőtest vagy tűzhely).
Adott esetben szigetelőlapot kell alkalmazni.
- A meleg ételeket és italokat először hűtse le, utána tegye be a hűtőgépbe.

- Felengedéshez a fagyasztott terméket tegye be a hűtőtérbe, és a fagyasztott termék hidegét használja fel az élelmiszerek hűtésére.
- A készülék ajtaját a lehető legrövidebb időre kell kinyitni.
- A legalacsonyabb energiafelvétel eléréséhez: tartsuk be oldalt a kis faltávolságot.
- A felszerelés elemeinek elrendezése nem befolyásolja a készülék energiafelvételét.

Működési hangjelenségek

Teljesen normális hangjelenségek

Útmutatás

A szupererős fagyasztás bekapcsolása nagyobb működési zajjal járhat.

Zümmögő hang

Járnak a motorok (pl. hűtőaggregátok, ventilátorok).

Bugyborékoló, csobogó vagy surrogó hang

Hűtőközeg folyik át a csöveken.

Kattanás

A motor, a kapcsoló vagy a mágnesszelepek be-/kikapcsolnak.

Recsegés-ropogás

Automatikus leolvasztás.

Kerülni kell a zajokat!

A készülék nem áll egyenesen

Állítsa be a készüléket vízmérték segítségével. Használja ehhez a csavaros lábakat vagy helyezzen alá valamit!

A készülék „közel áll”

Tolja el a készüléket a hozzá közel álló bútoroktól vagy készülékektől.

A tartályok vagy rakodópalcok billegnek vagy szorulnak

Ellenőrizze a kivehető részeket, és esetleg tegye újra be.

Az üvegek vagy edények érintkeznek egymással

Kissé tolja el egymástól a palackokat vagy edényeket!

Kisebb zavarok önálló kiküszöbölése

Mielőtt felhívja a vevőszolgálatot:

vizsgálja meg, hogy a következő útmutatások alapján saját maga is el tudja-e hárítani a zavart!

A vevőszolgálat által nyújtott tanácsadás költségeit magának kell viselnie – a garanciaidő alatt is!

Hibajelenség	Lehetséges okok	Hibaelhárítás
A hőmérséklet nagyon eltér a beállítástól.		Néhány esetben elegendő, ha 5 percre kikapcsolja a gépet. Ha a hőmérséklet túl meleg, néhány óra múlva ellenőrizze, hogy közelített-e a hőmérséklet a beállítotthoz. Ha a hőmérséklet túl hideg, a következő napon újból vizsgálja meg a hőmérsékletet.
Figyelmeztető hangjelzés hangzik fel. A hőmérsékletjelző villog. 2 /8 ábra	Zavar - a fagyasztótérben túl meleg van! Veszélyben a mélyhűtött áru. A készülék nyitva van.	A figyelmeztető hangjelzés kikapcsolásához nyomja meg a hőmérséklet-beállító gombot, 2 /6 ábra. Zárja be a készüléket.
	Elzáródott a levegőbelépő- és levegőkilépő nyílás.	Tegye szabaddá a szellőző- és levegőelvezető nyílásokat.
	Egyszerre túl sok élelmiszert tett be fagyasztásra.	Ne lépje túl a maximális fagyasztótéltjesítményt.
		A zavar elhárítása után megszűnik a hőmérsékletjelző villogása.

Hibajelenség	Lehetséges okok	Hibaelhárítás
Túl meleg a hőmérséklet a fagyasztótérben.	A készülék gyakori kinyitása.	A készüléket ne nyissa ki feleslegesen.
	Elzáródott a levegő be és kilépő nyílás.	Az akadályt távolítsa el.
	Elzáródott a levegő be- és kilépő nyílás.	Ne lépje túl a maximális fagyasztótéljesítményt!
A világítás nem működik.	A LED lámpa meghibásodott.	Lásd a „Világítás (LED)” című fejezetet.
	A készülék túl sokáig volt kinyitva.	A készülék bezárása és kinyitása után a világítás ismét működik.
	A világítás kb. 10 perc után kikapcsol.	
A kezelőelemek csökkentett fényereje.	Ha a készüléket egy ideig nem használják, a kezelő blende kijelzője energiatakarékos üzemmódra vált.	Amint a készüléket újra használatba vették, pl. kinyitották az ajtaját, a kijelző újra a normál világitásra kapcsol vissza.
Nem világít a jelzőlámpa.	Áramkiesés; kioldott a biztosíték; a villásdugó nem jól illeszkedik.	Dugja be a hálózati csatlakozót. Vizsgálja meg van-e áram, nézze meg a biztosítékot.
A készülék nem hűt, világít a hőmérsékletjelző és a világítás.	A kiállítási mód be van kapcsolva.	10 másodpercig tartsa nyomva a hőmérséklet-beállító gombot 2 /2, amíg felhangzik egy nyugtázó hangjelzés. Kis idő múlva ellenőrizze a készülék hűtését.
Sokáig nyitva volt a fagyasztó ajtaja; a hőmérsékletet már nem lehet elérni.	A párologtató (hűtő) NoFrost-rendszerben erősen eljégeseedett, úgyhogy már nem olvad le teljesen automatikusan.	A párologtató leolvasztásához vegye ki a mélyhűtött terméket a rekeszekkel, és jól szigetelve tegye hűvös helyre! Kapcsolja ki a készüléket és húzza el a faltól! A készülék ajtaját hagyja nyitva! Mintegy 20 perc után az olvadékvíz elkezd kifolyni a párologtató edénybe a készülék hátoldalán. Ebben az esetben elkerülendő a párologtató edény túlfolyását, egy szivaccsal föl kell itatni az olvadékvizet. Ha az olvadékvíz már nem folyik a készülékből, a párologtató leolvadt. Ki kell tisztítani a belső teret. Ismét használatba lehet venni a készüléket.

Hibajelenség	Lehetséges okok	Hibaelhárítás
A készülék felületén és a készülékben lévő polcokon kondenzvíz képződik.	A meleg és párás környezeti hőmérséklet fokozza a hatást.	<p>Puha, száraz kendővel törölje le a vizet.</p> <ul style="list-style-type: none"> ■ A készüléket a lehető legrövidebb időre nyissa ki ■ Ügyeljen arra, hogy a készülék mindig megfelelően be legyen csukva.

Vevőszolgálat

Az Ön közelében lévő vevőszolgálatot megtalálja a telefonkönyvben vagy a vevőszolgálatok jegyzékében. Kérjük, adja meg a vevőszolgálatnak a készülék termékszámát (E-Nr.) és gyártási számát (FD-Nr.).

Ezeket az adatokat a típustáblán találja meg. **13.** ábra

Kérjük, hogy a termék- és a gyártási szám megadásával Ön is segítsen elkerülni a szükségtelen kiszállásokat. Megtakarítja az ezzel együtt járó többletköltségeket.

Javítási megrendelés és tanácsadás zavarok esetén

Az egyes országok kapcsolati adatait megtalálja a mellékelt ügyfélszolgálati jegyzékben.

H +361 489 5461

Varnostna navodila in opozorila

Pred prvo vključitvijo aparata

Skrbno preberite priloženo navodilo za uporabo in navodilo za montažo! Tako boste dobili važne informacije o montaži, uporabi in vzdrževanju aparata.

Proizvajalec ne odgovarja za posledice neupoštevanja navodil in opozoril iz navodila za uporabo. Spravite vse papirje za poznejšo uporabo ali novega lastnika.

Tehnična varnost



Nevarnost požara

V ceveh hladilnega krogotoka je majhna količina okolju prijaznega, vendar gorljivega hladilnega sredstva (R600a). Slednje ne škoduje ozonski plasti in ne poveča učinka tople grede. Če hladilno sredstvo izstopa, lahko poškoduje oči ali pa zagori.

V primeru poškodb

- Odmaknite od aparata ogenj in vire toplote.
- Prostor dobro prezračite nekaj minut.
- Izklop aparata in izklop za dalj časa in izvlecite omrežni vtič.
- Obvestite servisno službo.

Čim več hladilnega sredstva je v aparatu, mora aparat biti postavljen v tem večjem prostoru. V malem prostoru, v primeru uhajanja sredstva, lahko nastane vnetljiva mešanica plina in zraka. Na 8 g hladilnega sredstva mora biti najmanj 1 m³ prostora. Količina hladilnega sredstva v vašem aparatu je označena na tipski ploščici v notranjosti aparata.

Pri postavitvi aparata pazite, da omrežni priključni vodnik ni ukleščen ali poškodovan.

Če se omrežni vod tega aparata poškoduje, ga mora zamenjati proizvajalec aparata, servisna služba ali podobno usposobljeno strokovno osebje. Nestrokovna instalacija in popravila lahko močno ogrozijo uporabnika.

Popravila sme izvajati samo proizvajalec naprave, servisna služba ali podobno usposobljene osebe.

Lahko uporabljate le originalne dele proizvajalca. Le za te dele, proizvajalec jamči, da izpolnjujejo varnostne zahteve.

Ne uporabljajte razdelilnih vtičnic, podaljševalnih kablov ali adapterjev.



Nevarnost požara

Prenosne razdelilne vtičnice ali prenosni omrežni deli se lahko pregrejejo in povzročijo požar.

Prenosnih razdelilnih vtičnic ali prenosnih omrežnih delov ne nameščajte za aparatom.

Med uporabo

- Znotraj aparata nikoli ne uporabljajte drugih električnih aparatov (npr. grelcev, električnih aparatov za pripravo ledu itd.). Nevarnost eksplozije!
- Nikoli ne uporabljajte parnih čistilcev za čiščenje ali odtajevanje aparata! Para lahko pride v stik z električnimi komponentami v aparatu, kar lahko povzroči kratek stik. Nevarnost udara električnega toka!
- Razen navodil proizvajalca ne izvajajte nobenih drugih ukrepov, ki bi pospešili odtaljevanje. Nevarnost eksplozije!
- Za odstranjevanje plasti ivja in ledu ne uporabljajte špičastih predmetov ali predmetov z ostrimi robovi. Tako bi lahko poškodovali cevi za hladilno sredstvo. Hladilno sredstvo vam lahko pride v oči in jih poškoduje, ali se vname.
- V aparatu ne shranjujte produktov z vnetljivimi plini (npr. razpršil) ali eksplozivnih materialov. Nevarnost eksplozije!
- Ne stojte na podstavku, vložkih, vratih in jih ne uporabljajte kot stojalo.
- Pred odtaljevanjem in čiščenjem iztaknite omrežni vtič ali izklopite varovalko. Potegnite za omrežni vtič in ne za priključni kabel.
- Visokoodstotni alkohol shranjujte samo v dobro zaprtih steklenicah in v navpičnem položaju.
- Delov iz plastike in tesnil na vratih ne smete umazati z oljem ali mastjo. V nasprotnem lahko postanejo deli iz plastike in tesnila na vratih porozni.
- Odprtina za dovod in odvod zraka na aparatu ne sme biti pokrita ali zaprta.

■ Zmanjšanje tveganj za otroke in ogrožene osebe:

Med ogrožene sodijo otroci in osebe, ki si telesno, psihično ali v svojem zaznavanju omejene ter osebe, ki nimajo zadostnega znanja o varni uporabi aparata.

Poskrbite, da bodo otroci in ogrožene osebe razumeli nevarnosti, ki jih lahko povzroči rokovanje z aparatom.

Oseba, odgovorna za varnost, mora otroke in ogrožene osebe nadzorovati ali voditi pri rokovanju z aparatom.

Aparat smejo uporabljati le otroci, starejši od 8 let.

Pri čiščenju in vzdrževanju morate otroke nadzorovati.

Otrokom nikoli ne dovolite, da se igrajo z aparatom.

- V zamrzovalnem prostoru ne smete hraniti tekočin v steklenicah in pločevinkah (zlasti ne pijač, ki vsebujejo ogljikov dioksid). Steklenice in pločevinke se lahko razpočijo!
- Zamrznjenih živil ne smete nikoli dati v usta, takoj potem, ko ste jih vzeli iz zamrzovalnega prostora. Nevarnost zmrzlin!

- Izogibajte se daljšega stika rok z zamrznjenimi živili, ledom ali cevmi izparilnika itd. Nevarnost zmrzlin!

Otroci v družini

- Ne dovolite otrokom, da se igrajo z embalažo. Nevarnost zadušitve v zvutih kartonskih škatlah in folijah!
- Aparat ni igrača za otroke!
- V primeru, da je aparat opremljen s ključavnico: ključ shranite izven dosega otrok!

Splošni določila

Aparat je primeren

- za ohlajevanje, zamrzovanje živil,
- za izdelavo ledu.

Ta naprava je namenjena za uporabo v gospodinjstve namene v zasebnem okolju.

Sistem hladilnega kroženja je preizkušen glede neprepustnosti.

Ta aparat ustreza varnostnim predpisom, ki veljajo za električne aparate, in je zaščiten pred radijskimi motnjami.

Ta aparat je namenjen uporabi na območjih do maksimalno 2000 metrov nadmorske višine.

Navodila za odlaganje dotrajanega aparata

Odlaganje embalaže novega aparata

Embalaža ščiti vaš aparat pred poškodbami med transportom. Vsi uporabljeni materiali so okolju prijazni in se jih lahko reciklira. Prosimo, da pomagate pri tem: odložite embalažo okolju prijazno.

O sodobnih načinih odlaganja se pozanimajte pri vašem strokovnem prodajalcu, ali pri vaši pristojni lokalni upravi.

Stari aparat odpeljite na odpad

Stari aparati niso brezvreden odpad! Z okolju prijaznim odlaganjem se lahko reciklirajo vredne surovine.



Ta naprava je označena v skladu z evropsko smernico o odpadni električni in elektronski opremi (waste electrical and electronic equipment - WEEE).

V okviru smernice sta določena prevzem in recikliranje starih naprav, ki veljata v celotni Evropski uniji.

Svarilo

Pri odsluženih aparatih

1. Izvlecite omrežni vtič.
2. Prerežite priključno vrv in jo odstranite skupaj z omrežnim vtičem.
3. Ne jemljite polic in posod ven, da bo otrokom težje, da splezajo v aparat!
4. Ne dovolite otrokom, da se igrajo z odsluženim aparatom. Nevarnost zadužitve!

Hladilne naprave vsebujejo hladilna sredstva in izolacijske pline. Hladilna sredstva in izolacijski plini zahtevajo pravilno odlaganje. Cevi, ki se uporabljajo za cirkulacijo hladilnega sredstva ne smete poškodovati pred strokovnim odlaganjem.

Obseg dobave

Preden razpakirate vse dele, jih preverite, če so se ob transportu poškodovali.

Ob ugotovitvi poškodb pošiljke se obrnite na prodajalca, pri katerem ste aparat kupili ali pa se oglasite pri naši servisni službi.

Obseg dobave sestoji iz naslednjih delov:

- Samostojna naprava
- Oprema (odvisna od modela)
- Vrečka z montažnim materialom
- Navodilo za uporabo
- Navodilo za montažo
- Servisna knjižica
- Priloga z garancijskim listom
- Informacije o porabi energije in obsegu nastajanja hrupa

Mesto postavitve

Aparat postavite v suh, zračen prostor. Mesto postavitve naj ne bo izpostavljeno neposredni sončni svetlobi. Aparat ne sme biti v bližini izvora toplote, npr. štedilnika, radiatorja ipd. Če pa ga že postavite blizu toplotnih virov, uporabite primerno izolacijsko ploščo ali pa upoštevajte naslednjo najmanjšo razdaljo od izvora toplote:

- Od električnih in plinskih štedilnikov: 3 cm.
- Od oljnih ali štedilnikov na trda goriva: 30 cm.

Tla na mestu postavitve se ne smejo vdajati, če je potrebno, jih ojačajte. Neravnine na tleh izravnajte s pomočjo podstavkov.

Odmik od stene

Aparat postavite tako, da je zagotovljen kot odpiranja vrat 90°.

Bodite pozorni na temperaturo prostora in prezračevanje

Sobni temperaturi

Aparat je projektiran za določeni klimatski razred. Odvisno od klimatskega razreda se aparat lahko uporablja pri naslednjih sobnih temperaturah.

Klimatski razred je na tipski ploščici, slika **f3**.

Klimatski razred	dovoljena temperatura okolja
SN	+10 °C do 32 °C
N	+16 °C do 32 °C
ST	+16 °C do 38 °C
T	+16 °C do 43 °C

Napotek

Naprava je popolnoma funkcionalna, če se sobna temperatura giblje v mejah podanega klimatskega razreda. Če naprava klimatskega razreda SN obratuje pri nižjih sobnih temperaturah, lahko izključimo pojav poškodb naprave do temperature +5 °C.

Zračenje

Slika **3**

Zrak na hrbtni steni in na stranicah naprave se ogreva. Segreti zrak se mora neovirano odvesti. V nasprotnem primeru mora hladilni kompresor delati s povečano močjo. To poveča porabo toka. Zaradi tega: Odprtini za dovod in odvod zraka ne smete nikoli pokriti ali zapreti!

Priklop aparata

Po postavitvi aparata, počakajte najmanj 1 uro, preden vklopite aparat. Med transportom se lahko zgodi, da pride olje, ki je v kompresorju, v hladilni sistem.

Pred prvim zagonom, očistite notranjost aparata (glej «Čiščenje aparata»).

Električni priključek

Vtičnica se mora nahajati v bližini aparata in mora biti tudi po postavitvi prosto dosegljiva.

⚠ Svarilo

Nevarnost električnega udara!

Če dolžina omrežnega priključnega vodnika ne zadostuje, v nobenem primeru ne uporabljajte razdelilnih vtičnic ali podaljševalnih kablov. V tem primeru se obrnite na servisno službo, ki vam bo svetovala glede alternativ.

Aparat ustreza razredu zaščite I. Aparat preko po predpisih instalirane vtičnice z varnostnim vodnikom priključite na izmenični tok 220–240 V/50 Hz. Vtičnica mora biti zavarovana z varovalko 10 A do 16 A.

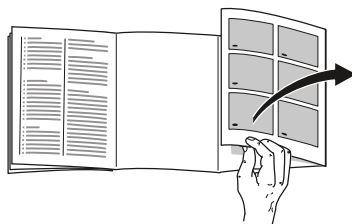
Pri aparatih, ki bodo obratovali v državah izven Evrope, morate preveriti, ali navedena napetost in vrsta toka ustrezata vrednostim zadevnega električnega omrežja. Te podatke najdete na tipski tablici, slika **13**.

⚠ Svarilo

Aparat ne sme v nobenem primeru biti priključen na elektronsko varčevalno vtičnico.

Za napajanje naših aparatov lahko uporabite izmenične pretvornike s sinusnim in omrežnim krmiljenjem. Omrežno vodeni izmenični pretvorniki se uporabljajo pri fotovoltaičnih napravah, ki so priključene neposredno na javno omrežje. Pri lokalnih napajanjih, npr. na ladji ali v gorskih počitniških hišah, je treba poskrbeti, da se uporabi izmenični pretvornik s sinusnim krmiljenjem.

Spoznajte vaš aparat



Odprite, prosimo, zadnjo stran s slikami. To navodilo velja za uporabo več modelov.

Opremljenost modelov aparatov je lahko različna.

Pri slikah so možna odstopanja.

Slika **1**

* Ni pri vseh modelih.

- A Hladilni prostor
- B Zamrzovalni prostor

- 1–9 Upravljalni elementi
- 10 Polica za majhne steklenice
- 11 Vložek za odlaganje velikih steklenic

- 12 Osvetlitev
- 13* Vložek za odlaganje steklenic
- 14 Pregradek hladilnega skladišča
- 15 Posoda za zelenjavo z regulatorjem vlažnosti
- 16 Predal za zamrznjena živila (mali)

Upravljalni elementi

Slika 2

- 1 **Prikaz alarm**
Poudarjen, ko je v aparatu pretoplo.
- 2 Tipka za nastavitev temperature v hladilnem prostoru
S tipko nastavite temperaturo hladilnega prostora.
- 3 **Indikacija »super«**
Sveti, kadar je funkcija super hlajenje aktivna.
- 4 **Prikazovalnik temperature hladilnega prostora**
Številke ustrezajo nastavljeni temperaturi hladilnega prostora v stopinjah Celzija (°C).
- 5 **Prikaz eco**
Prikaz je poudarjen, ko je v hladilniku vklopljen ekološki način.
- 6 Tipka za nastavitev temperature zamrzovalni prostor
S tipko nastavite temperaturo zamrzovalnega prostora.
- 7 Indikacija «super» (zamrzovalni prostor)
Sveti samo kadar je super zamrzovanje aktivno.
- 8 **Prikaz temperature zamrzovalnega prostora**
Številke ustrezajo nastavljeni temperaturi zamrzovalnega prostora v stopinjah Celzija (°C).

- 9 **Prikaz eco**
Prikaz je poudarjen, ko je v zamrzovalniku vklopljen ekološki način.

Vklop aparata

Slika 2

1. Vtič vstavite v vtičnico.
2. Oglasi se opozorilni ton. Prikaz temperature 8 utripa.
3. Pritisnite tipko za nastavitev temperature 2. Opozorilni ton se izklopi.

Ko je v zamrzovalniku dosežena nastavljena temperatura, prikaz temperature 8 sveti.

Tovarniško priporočene nastavitve:

- Hladilnik: srednja temperatura
- Zamrzovalnik: -18 °C

Občutljiva živila hranite v hladilniku.

Navodila glede obratovanja

- Po vklopu lahko traja več ur, da aparat doseže nastavljene temperature.
- Zahvaljujoč popolnoma samodejnemu NoFrost-sistemu, ostane zamrzovalni prostor nezaledenel. Odtajevanje ni več potrebno.
- Sprednja stran ohišja se delno rahlo segreje, kar onemogoči pojav kondenzata na tesnilu na vratih.
- Če se vrata zamrzovalnega prostora po zaprtju ne dajo takoj odpreti, počakajte trenutek ali dva, da se nastali podtlak izenači.

Nastavitev temperature

Hladilnik

Temperatura se lahko nastavi od +2 °C do +8 °C.

Tipko za nastavitev temperature 2 pritisnite tolikokrat, da je nastavljena zelena temperatura v hladilniku.

Shrani se zadnja nastavljena vrednost. Nastavljena temperatura se prikazuje na prikazu temperature 4.

Napotek

Da dosežete izbrano temperaturo, odprite prezračevalne odprtine za 1/3, slika **6**.

Zamrzovalni prostor

Temperaturo je mogoče nastaviti med -16 °C do -24 °C.

Nastavitveno tipko za temperaturo 6 pritisnite tolikokrat, dokler zelena temperatura zamrzovalnega prostora ni nastavljena.

Shrani se zadnja nastavljena vrednost. Nastavljena temperatura se prikaže na prikazovalniku temperature 8.

Tovarniško vam priporočamo nastavitev temperature zamrzovalnega prostora na -18 °C.

eco

Z ekološko funkcijo aparat preklopite na energetske varčevalni način obratovanja.

Aparat se avtomatsko nastavi na sledeče temperature:

- hladilni prostor: +8 °C
- zamrzovalni prostor: -16 °C

Vklop funkcije Eco

Tipko za nastavitev temperature 6 pritisnite tolikokrat, da je prikaz "eco" poudarjen.

Funkcije alarma

Slika **2**

Alarm za vrata

Alarm vrat (stalni akustični signal) se vključi, če so vrata naprave odprta dlje kot eno minuto. Z zapiranjem vrat se opozorilni ton spet izključi.

Temperaturni alarm

Temperaturni alarm se oglasi, če je v zamrzovalnem prostoru pretoplo in so živila ogrožena.

Prikazovalnik temperature, slika **2**/8, utripa.

Alarm se lahko tudi brez nevarnosti za živila vključi:

- pri zagonu aparata,
- če ste v hladilnik vložili veliko količino živil,
- če so vrata zamrzovalnega prostora predolgo odprta.

Napotek

Zamrznjeno živilo, ki se je začelo odtajati ali se je popolnoma odtajalo, ne smete ponovno zamrzniti. Šele po obdelavi v gotovo jed (kuhano ali pečeno) ga lahko ponovno zamrznete.

Maks. roka shranjevanja ne smete več izrabiti do konca.

Izklop alarma

Slika **2**

Pritisnite tipko za nastavljanje temperature 6, da s tem izključite opozorilni akustični signal.

Koristna prostornina

Podatke o koristni prostornini boste našli na tipski ploščici vašega aparata.

Slika **13**

Popoln izkoristek zamrzovalne prostornine

Predale lahko vzamete iz aparata, kar vam bo omogočilo, da v zamrzovalnem prostoru shranite maksimalno količino živil. Živila lahko zložite neposredno na polico in na dno zamrzovalnega prostora.

Napotek

Izogibajte se stiku med živili in zadnjo steno. V nasprotnem primeru bo to vplivalo na kroženje zraka.

Razen tega se živila in embalaža na zadnjo steno prilepijo z zamrzovanjem.

Snetje delov opreme

Predal za zamrznjena živila izvlecite do konca, ga spredaj privzdignite in snemite iz naprave. Slika **9**

Hladilni prostor

Hladilni prostor je idealni shranjevalni prostor za meso, mesne izdelke, ribe, mlečne izdelke, jajca, gotove jedi in peciva.

Na kaj morate biti pozorni pri hrambi živil

- V aparatu hranite vedno sveža in nepoškodovana živila. Tako bosta kakovost in svežina živil dalj časa ohranjena.
- Pri gotovih jedeh in polnjenih živilih pazite zmeraj na proizvajalčev minimalni rok trajanja ali datum, do katerega je treba živilo uporabiti.
- Da bi ohranili aromo, barvo in svežino, živila hranite dobro zapakirana ali pokrita. Tako boste tudi preprečili prenos okusov in spremembo barve plastičnih delov v hladilnem prostoru.
- Pustite tople jedi in pijače, da se ohladijo izven aparata in jih šele takrat dajte v aparat.

Napotek

Odprtini za odvod zraka ne smete blokirati z živili, da ne bi onemogočili zračnega obtoka. Živila, ki ste jih odložili neposredno pred odprtino za izhod zraka, lahko zamrznejo zaradi izhajajočega hladnega zraka.

Upoštevanje hladnih con v hladilnem prostoru

Zaradi kroženja zraka v hladilnem prostoru nastanejo različno hladne cone:

- najhladnejše cone so pred odprtiniami za odvajanje zraka in v predalu za hladno shranjevanje, slika **1**/14.

Napotek

V najhladnejših conah hranite občutljiva živila (npr. ribe, klobase, meso).

- Najtoplejša cona je v vratih čisto zgoraj.

Napotek

V najtoplejši coni hranite npr. trde sire in maslo. Trdi sir lahko tako razvije svojo aromo, maslo pa ostane voljno za mazanje.

Predal za zelenjavo z regulatorjem vlažnosti

Slika **7**

Da zagotovite optimalne pogoje za shranjevanje sadja in zelenjave, lahko v posodi za zelenjavo nastavite vlažnost zraka:

- pretežno za zelenjavo in pri mešanih živilih ali majhni količini – nastavite višjo vlažnost zraka
- pretežno za sadje in pri veliki količini – nastavite nižjo vlažnost zraka

Napotki

- Sadje, ki je občutljivo na mraz (npr. ananas, banane, papaja in citrusno sadje) ter zelenjavo (npr. jajčevci, kumare, bučke, paprika, paradižniki in krompir) je treba za optimalno ohranjanje kakovosti in okusa shranjevati izven hladilnika pri temperaturi okoli +8 °C do +12 °C.

- Glede na količino in vrsto shranjenih živil se lahko v predalu za zelenjavo tvori več ali manj kondenzirane vode. Kondenzirano vodo obrišite s suho krpo in prilagodite regulator vlažnosti v predalu za zelenjavo.

Pregradek hladilnega skladišča

Slika **6**

V pregradku hladilnega skladišča so nižje temperature, kot v hladilnem prostoru. Ravno tako lahko nastanejo tudi temperature pod 0 °C.

Idealen za shranjevanje mesa, ribe in klobase. Ni primeren za solate in zelenjavo, ter živila, ki so občutljiva na mraz.

Temperaturo v predalu za hladno shranjevanje lahko spreminjate s pomočjo prezračevalne odprtine. Za znižanje temperature regulator temperature potisnite navzgor. Za povišanje temperature regulator temperature potisnite navzdol. Slika **6**

Super hlajenje

Pri super hlajenju se hladilni prostor hladi okrog 15 ur, kolikor je le možno. Nato se samodejno preklopi na temperaturo, ki je nastavljena pred super hlajenjem.

Vklopite super hlajenje npr.

- Pred vlaganjem velikega števila živil.
- Za hitro hlajenje pijač.

Napotek

Če je super hlajenje vključeno, se lahko pojavi povišan obratovalni hrup naprave.

Vklop in izklop

Slika **2**

Tipko za nastavitve temperature 2 pritisnite tolikokrat, dokler indikacija super 3 ne zasveti.

Zamrzovalni prostor

Zamrzovalni prostor uporabljajte

- Za odlaganje globoko zamrznjenih jedi.
- Za pripravo kockic ledu.
- Za zamrzovanje živil.

Napotek

Pazite na to, da bodo vrata na zamrzovalnem prostoru vedno zaprta! Če so vrata odprta, se zamrznjena živila odtajajo in zamrzovalni prostor močno zaledeni. Razen tega: razsipanje energije zaradi visoke porabe toka!

Največja kapaciteta zamrzovanja

Podatke o maksimalni kapaciteti zamrzovanja v 24 urah, boste našli na tipski plošči. Slika **13**

Predpostavke za največjo zamrzovalno zmogljivost

- Pred vlaganjem svežih živil vključite super zamrzovanje (glej poglavje Super zamrzovanje).
- Vzemite predale ven; zlagajte živila neposredno na polico in dno zamrzovalnega prostora.

- Večjo količino živil zamrznite predvsem v najvišjem predalu. V njem se živila posebej hitro in tako tudi posebej obzirno zamrznjeno.

Zamrzovanje in shranjevanje

Nakup globoko zamrznjenih živil

- Embalaže ne smete poškodovati.
- Upoštevajte rok trajnosti.
- Temperatura v prodajni zamrzovalni skrinji mora znašati $-18\text{ }^{\circ}\text{C}$ ali pa še hladneje.
- Globoko zamrznjeno živilo nosite, po možnosti, v izolirani torbi in jo hitro dajte v zamrzovalni prostor.

Bodite posebno pozorni pri razporeditvi

- Večjo količino živil zamrznite predvsem v najvišjem predalu. V njem se živila posebej hitro in tako tudi posebej obzirno zamrznjeno.
- Živila razprostrite čim širše po površini v predalih oz. jih položite v predale za zamrznjena živila.

Napotek

Že zamrznjena živila ne smejo priti v dotik s svežimi živili, ki jih boste šele zamrznili. Po potrebi preložite globoko zamrznjena živila v druge predale za zamrznjena živila.

Vlaganje zamrznjenih živil

Predal z zamrznjenimi živili potisnite v napravo do konca, da s tem zagotovite brezhibno kroženje zraka.

Zamrzovanje svežih živil

Za zamrzovanje uporabljajte samo sveža in brezhibna živila.

Za čim boljšo ohranitev hranilnih vrednosti, arome in barve je potrebno zelenjavo pred zamrzovanjem blanširati. Pri jajčevcih, paprikah, bučkah in beluših blanširanje ni potrebno.

Literaturo o zamrzovanju in blanširanju najdete v običajnih knjigarnah.

Napotek

Živila, ki jih je šele treba zamrzniti ne smejo priti v dotik z že zamrznjenimi živil.

- Za zamrzovanje so primerni: pekarski izdelki, ribe in morski sadeži, meso, divjačina, perutnina, zelenjava, sadje, zelišča, jajca brez lupine, mlečni izdelki kot sir, maslo in skuta, gotove jedi in ostanki obrokov, kot sp juhe, enolončnice, pripravljeno meso in ribe, krompirjeve jedi, narastki in slaščice.
- Za zamrzovanje niso primerni: vrste zelenjave, ki se jih po navadi je sveže, npr. listnata solata ali redkvice, jajca z lupino, grozdje, cela jabolka, hruške in breskve, trdo kuhana jajca, jogurt, kisló mleko, kislá smetana, smetana in majoneza.

Pakiranje živil

Živila naj bodo nepredušno zapakirana, da ne bi zgubila okusa ali se izsušila.

1. Dajte živilo v embalažo.
2. Iztisnite zrak.
3. Zaprite nepredušno pakiranje.
4. Napišite na embalaži vsebino in datum zamrzovanja.

Za embalažo so primerne:

plastične folije, cevaste folije iz polietilena, alufolije, posode za zamrzovanje.

Te izdelke najdete v strokovnih trgovinah.

Kot embalaža niso primerni:

papir za peko, pergamentni papir, celofan, vrečke za smeti in uporabljene nakupovalne vrečke.

Za zapiranje so primerne:

gumice, plastične sponke, vrvice, lepilni trakovi odporni na mráz in podobno.

Polietilenske vrečke in folije lahko zaprete tudi z varilcem folije.

Obstojnost zamrznjenih živil

Obstojnost zamrznjenih živil odvisna je od vrste živil.

Pri temperaturi -18 °C:

- riba, klobase, gotove jedi, peciva: do 6 mesecev
- sir, perutnina, meso: do 8 mesecev
- zelenjava, sadje: do 12 mesecev

Super zamrzovanje

Živila je treba po možnosti hitro zamrzniti prav do jedra, da bi se ohranili vitamini, hranilne vrednosti, videz in okus.

Nekaj ur pred vlaganjem svežih živil vključite super zamrzovanje, da s tem preprečite nezaželen dvig temperature.

Zadostovalo bo 4–6 ur.

Aparat po vklopu obratuje stalno, v zamrzovalnem prostoru se doseže zelo nizka temperatura.

Če želite izkoristiti največjo možno zamrzovalno količino, morate 24 ur pred vlaganjem svežih živil vključiti «Super zamrzovanje».

Manjše količine živil (do 2 kg.) lahko zamrznete brez super zamrzovanja.

Napotek

Če je super zamrzovanje vključeno, lahko pride do glasnejšega obratovanja aparata.

Vklop in izklop

Slika **2**

Tipko za nastavitev temperature 6 pritisnite tolikokrat, dokler indikacija super 7 ne zasveti.

Super zamrzovanje se avtomatično izključi po približno 2½ dneva.

Odmrznite zamrznjeno živilo

Glede na način in namen uporabe lahko izbirate med naslednjimi načini:

- pri sobni temperaturi,
- v hladilniku,
- v električni pečici, z/brez ventilatorja s toplim zrakom,
- v mikrovalovni pečici.



Pozor

Zamrznjeno živilo, ki se je začelo odtajati ali se je popolnoma odtajalo, ne smete ponovno zamrzniti. Šele po obdelavi v gotovo jed (kuhano ali pečeno) ga lahko ponovno zamrznete.

Maks. roka shranjevanja živila ne smete več izrabiti do konca.

Oprema

Vložki za odlaganje in posode

Police za odlaganje v notranjem prostoru in posode v vratih, lahko po potrebi spreminjate: polico potegnite k sebi, jo poveznite navzdol ter jo z obračanjem na stran potegnite iz prostora. Pri tem dvignite in izvlecite posodo.

Posebna oprema

(ni pri vseh modelih)

Vložek za odlaganje steklenic

Slika **5**

V vložku za odlaganje steklenic, lahko varno odlagate steklenice.

Posodico za led

Slika **11**

1. Posodico za led napolnite do $\frac{3}{4}$ s pitno vodo in jo postavite v zamrzovalni prostor.
2. Če se je posoda za led zalepila, jo oddvojite s topim predmetom (držaj žlice ipd.)
3. Ledene kocke boste lažje odstranili iz posode, če boste posodo rahlo ukrivili, ali pa jo za trenutek postavili pod tekočo vodo.

Koledar zamrzovanja

Slika **10**

Da bi se izognili zmanjšanju kakovosti zmrznjenih živil, je pomembno, da ne prekoračite roka shranjevanja. Številke ob simbolih kažejo dovoljeni rok shranjevanja živil v mesecih. Pri industrijsko zamrznjenih živilih upoštevajte datum proizvodnje oz. rok uporabnosti.

Hladilna baterija

V primeru prekinitve električnega toka ali neke motnje, hladilna baterija odloži segrevanje živil, ki so v zamrzovalniku. Najdaljši čas shranjevanja dosežete, če akumulator mraza v zgornjem predalu položite neposredno na živila.

Hladilni akumulator lahko vzamete iz aparata zaradi začasnega hlajenja živila, npr. v hladilni torbi.

Komplet za zajtrk

Slika **12**

Posode kompleta za zajtrk lahko vzamete posamično iz aparata in jih lahko napolnite.

Nalepka "OK"

(ni pri vseh modelih)

Z nalepko "OK" lahko preverite, ali temperatura v hladilniku dosega za živila priporočena varna območja +4 °C ali hladneje. Če nalepka ne kaže "OK", postopoma znižujte temperaturo.

Napotek

Po vklopu aparata, lahko traja do 12 ur, preden je dožežena nastavljena temperatura.



Pravilna nastavitvev

Izklop aparata in izločitev iz uporabe

Izklop aparata

Izvlomite omrežni vtič, oz. izklopite varovalko.

Hladilnik se izklopi.

Izločitev aparata iz uporabe

Če aparata dalj časa ne boste uporabljali:

1. Izvlomite omrežni vtič ali izklopite varovalko.
2. Aparat očistite.
3. Vrata aparata pustite odprta.

Čiščenje aparata

Pozor

- Ne uporabljajte nobenih čistilnih in topilnih sredstev z vsebovanjem peska, kloridov ali kislin.
- Ne uporabljajte čistilnih gob, ki lahko površino opraskajo in poškodujejo. Na kovinskih površinah bi lahko nastala korozija.
- Vložkov za odlaganje in predalov nikoli ne pomivajte v pomivalnem stroju.

Deli se lahko deformirajo!

Voda, s katero čistite aparat, ne sme priti v spodaj navedena območja:

- upravljalni elementi
- osvetlitev
- prezračevalne odprtine
- odprtine v ločevalni plošči

Postopajte na sledeč način:

1. Izvlecite omrežni vtič ali izklopite varovalko.
2. Zamrznjena živila vzemite iz predala in jih zložite na hladno. Na živila položite hladilni vložek (če obstaja).
3. Voda za pomivanje ne sme prodreti v upravljalne elemente, osvetlitev, prezračevalne odprtine ali v odprtine ločevalne plošče!
Aparat obrišite z mehko krpo, mlačno vodo in nekaj pH nevtralnega pomivalnega sredstva.
4. Tesnilo na vratih operite le s čisto vodo in ga nato temeljito obrišite do suhega.

5. Po čiščenju aparat ponovno priključite.
6. Živila zložite nazaj v zamrzovalnik.

Oprema

Za čiščenje je možno vse dele opreme naprave vzeti iz nje.

Snetje polic v vratih

Slika **4**

Police privzdignite in jih snemite.

Snetje odlagalne police za kozarce

Steklene police potegnite k sebi in jih snemite.

Snetje predala

Slika **8**

Predal izvlecite do konca, ga spredaj privzdignite in ga snemite.

Snetje predala za zamrznjena živila

Slika **9**

Predal za zamrznjena živila izvlecite do konca, ga spredaj privzdignite in snemite iz naprave.

Osvetlitev (LED)

Vaša naprava je opremljena z osvetlitvijo svetlečih diod (LED), ki ne potrebuje vzdrževanja.

Popravila te vrste osvetlitve sme izvajati samo servisna služba ali avtorizirano strokovno osebje.

Prihranek energije

- Aparat postavite v suh prostor, ki se lahko zrači! Aparata ne smete postaviti neposredno na sonce ali v bližini toplotnih virov (npr. radiatorji, štedilnik). Če je potrebno, uporabite izolacijsko ploščo.
- Pustite tople jedi in pijače, da se ohladijo izven aparata in jih šele takrat dajte v aparat.
- Zamrznjena živila porazdelite v hladilnem prostoru in s tem uporabite hlad zamrznjenih živil za hlajenje drugih živil.
- Vrata aparata naj bodo odprta čim krajši čas.
- Da dosežete najnižjo možno porabo energije: upoštevajte majhen stranski odmik od stene.
- Razporeditev delov opreme ne vpliva na porabo energije naprave.

Šumi, ki se lahko pojavijo med obratovanjem

Popolnoma normalni šumi

Napotek

Ko je vklopljeno super zamrzovanje, je lahko aparat nekoliko bolj glasen.

Brnenje

Motorji tečejo (npr. hladilni agregat, ventilator).

Žuborenje, klokotanje ali grgotanje

Hladilno sredstvo se pretaka skozi cevi.

Klikljanje

Motor, stikala ali magnetni ventili se vklaplajo in izklaplajo.

Pokanje

Opravilo se je samodejno odtajanje.

Preprečevanje šumov

Aparat ni izravnan

Prosimo naravnajte aparat s pomočjo libele. Pri tem uporabite nastavljivi nogici ali podstavite nekaj.

Aparat se dotika nečesa

Odmaknite aparat od sosednjega pohištva ali drugih aparatov.

Predali ali odlagalne police se majejo ali zatikajo

Preverite dele, ki se lahko vzamejo ven in jih po potrebi ponovno namestite.

Steklenice ali posodo se dotika.

Razmaknite steklenice ali posodo eno od druge.


Samostojno odpravljanje manjših motenj.

Preden pokličete servisno službo:

Preverite, ali motnjo lahko sami odpravite s pomočjo sledečih navodil.

Stroške nasvetov servisne službe morate nositi sami – tudi med garancijsko dobo!

Motnja	Možen vzrok	Pomoč
Temperatura zelo odstopa od nastavljenih vrednosti.		V nekaterih primerih zadostuje, če izklopite stroj za 5 minuti. Če je temperatura previsoka, preverite po nekaj urah, če se je vzpostavila približna temperatura. Če je temperatura prenizka, še enkrat preverite temperaturo naslednji dan.
Oglasi se opozorilni akustični signal.	Motnja - v zamrzovalnem prostoru je pretoplo!	Za izključitev opozorilnega akustičnega signala pritisnite na nastavitveno tipko za temperaturo, slika 2 /6.
Prikazovalnik temperature utripa. Slika 2 /8	Nevarnost za zamrznjene proizvode. Naprava je odprta.	Napravo zaprite.
	Odprtine za dovod in odvod zraka so pokrite.	Omogočite dovod in odvod zraka.
	V zamrzovalnik ste vložili preveliko količino živil.	Ne presegajte maksimalne kapacitete zamrzovanja. Po odpravi motnje bo indikator za temperaturo prenehal utripati.
Temperatura v zamrzovalnem prostoru je previsoka.	Prepogosto odpiranje vrat aparata.	Naprave ne odpirajte brez potrebe.
	Odprtine za dovod in odvod zraka so pokrite.	Odstranite zapreke.
	Zamrzovanje velikih količin svežih živil.	Ne presegajte maksimalne kapacitete zamrzovanja.
Osvetlitev ne dela.	Osvetlitev LED je defektna.	Glejte poglavje «Osvetlitev (LED)».
	Naprava je bila predolgo odprta. Osvetlitev ugasne po približno 10 minutah.	Potem, ko enkrat napravo zaprete in ponovno odprete, je osvetlitev ponovno vključena.

Motnja	Možen vzrok	Pomoč
Zmanjšana osvetlitev upravljalnih elementov.	Če naprave nekaj časa ne upravljate, se prikaz upravljalne plošče prestavi v način varčevanja z energijo.	Brž ko je aparat ponovno v uporabi, npr. pri odpiranju vrat, se prikaz ponovno preklopi na normalno osvetlitev.
Indikacija ne sveti.	Ni elektrike; varovalka se je izklopila; omrežni vtič ni dobro vtaknjen.	Priključite omrežni vtič. Preverite, ali je napajanje z električno energijo, preverite varovalke.
Naprava ne hladi, prikaz temperature in osvetlitev svetita.	Vključen je predstavitveni način.	Pritisnite in držite nastavitveno tipko za temperaturo sliki  /2 10 sekund dolgo, dokler ne zaslišite potrditveni ton. Po določenem času preverite, če aparat hladi.
Vrata zamrzovalnega prostora so bila predolgo odprta; temperature se več ne da doseči.	Izparilnik (generator hladu) v NoFrost-sistemu je močno zaledenel tako, da se več ne more odtajati popolnoma samodejno.	Zaradi odtajanja izparilnika, vzemite živila skupaj s pregradki ven, ter jih dobro izolirane odložite na hladno mesto. Izklopite aparat in ga odmaknite od stene. Pustite vrata aparata odprta. Po okrog 20 min., začne odtajana voda odtekati v posodo za kondenzat na hrbtni strani aparata. Da bi se prelivanju posode za kondenzat v tem primeru izognili, vpijte odtajano vodo z gobo. Kadar odtajana voda ne izteka več v posodo za kondenzat, je izparilnik odtajan. Očistite notranjost. Aparat ponovno zaženite.
Na površini aparata in v predalih se nabira kondenzirana voda.	Toplo in vlažno okolje dodatno vpliva na ta pojav.	Vodo obrišite z mehko, suho krpo. ■ Vrata aparata odpirajte za čim krajši čas. ■ Vedno pazite na to, da so vrata aparata vedno pravilno zaprta.

Servisna služba

Najbližjo servisno službo najdete v telefonskem imeniku ali na seznamu servisnih služb. Servisni službi posredujte številko modela (E-Nr.) in proizvodno številko (FD-Nr.) aparata.

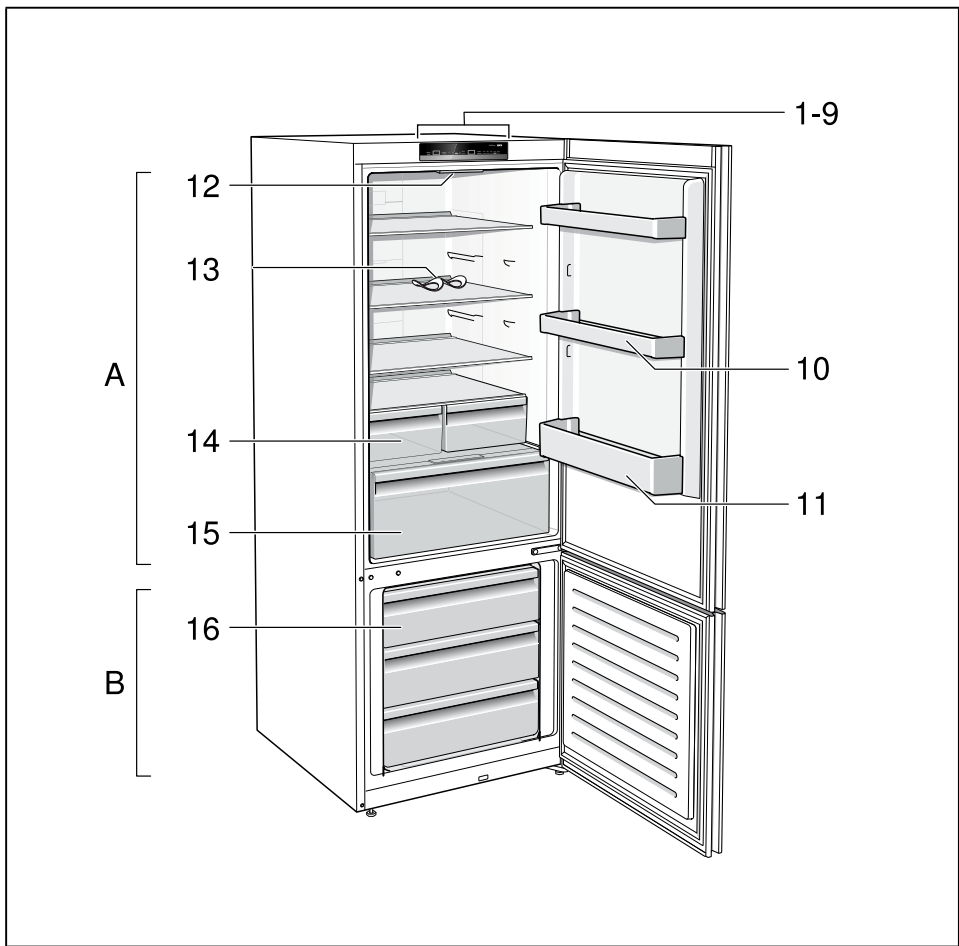
Te podatke najdete na tipski tablici. Slika



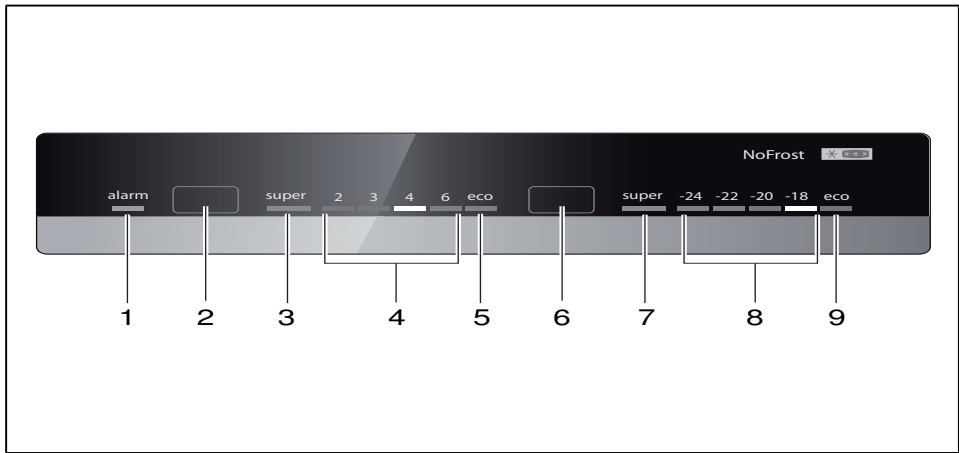
Z navedbo številke modela in proizvodne številke pripomorete k izogibu nepotrebnih obiskov servisnega osebja. Tako prihranite s tem povezane dodatne stroške.

Naročilo za popravilo in svetovanje v primeru motenj

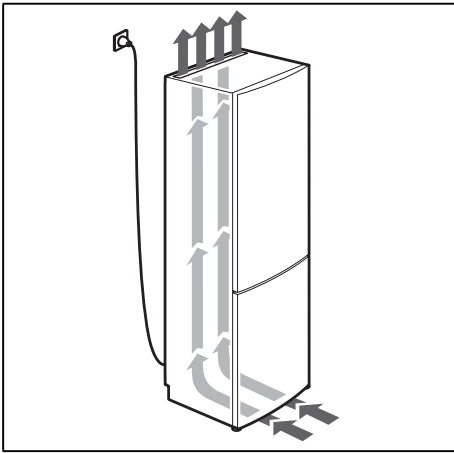
Podatke glede vseh držav, boste našli v priloženem seznamu servisnih služb.



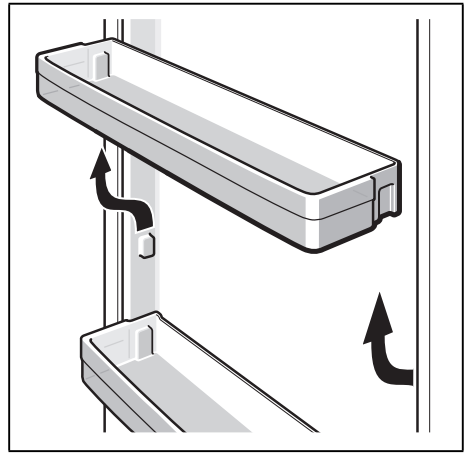
1



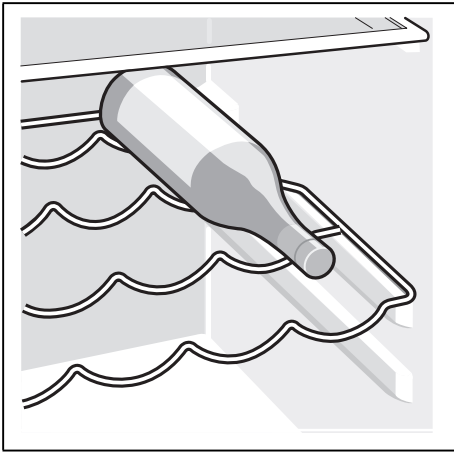
2



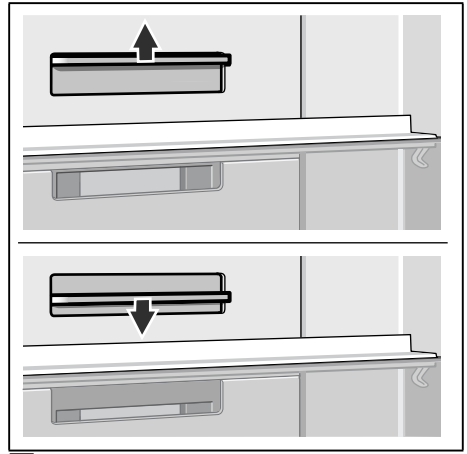
3



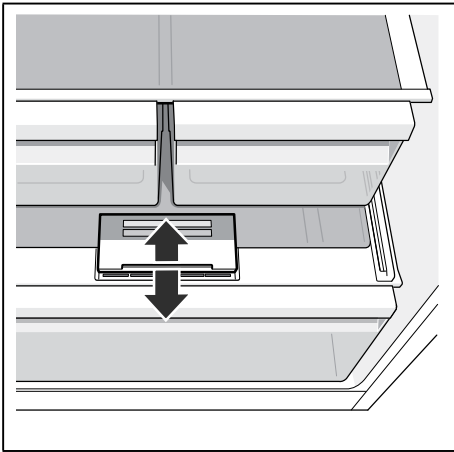
4



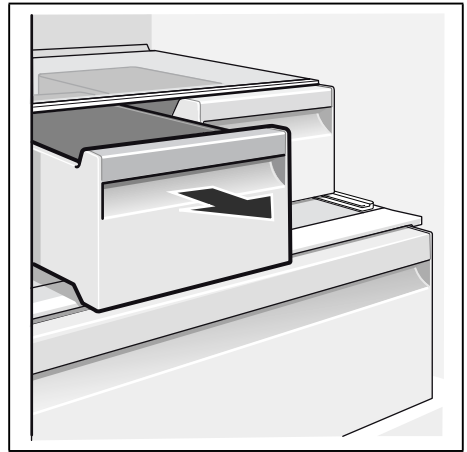
5



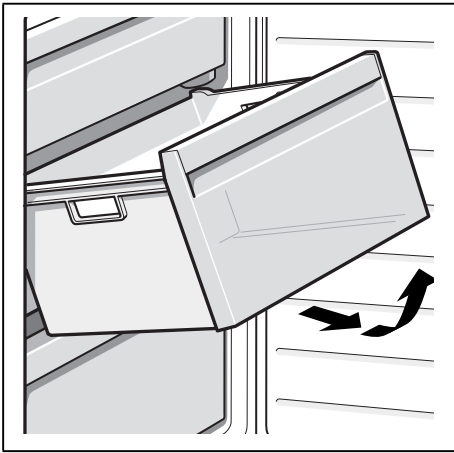
6



7



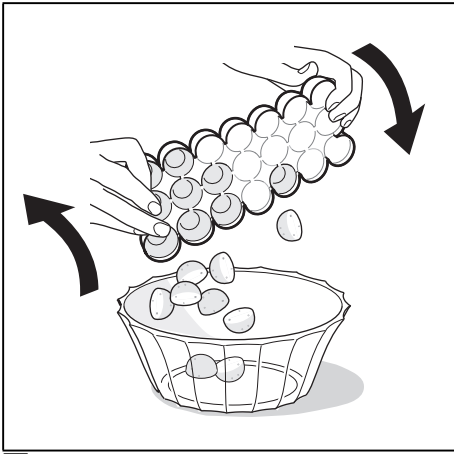
8



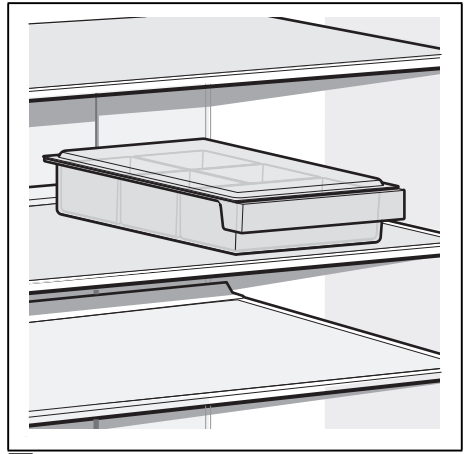
9



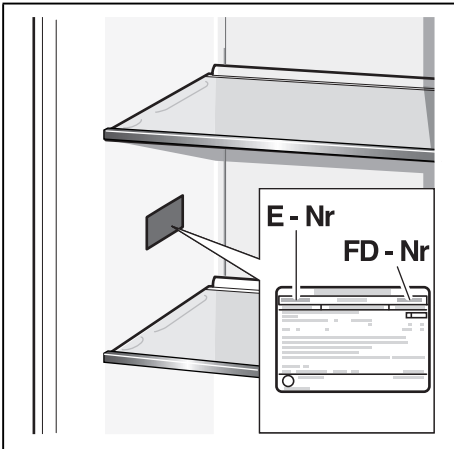
10



11



12



13



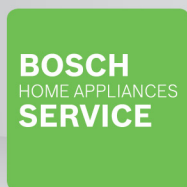
Thank you for buying a Bosch Home Appliance!

Register your new device on MyBosch now and profit directly from:

- **Expert tips & tricks for your appliance**
- **Warranty extension options**
- **Discounts for accessories & spare-parts**
- **Digital manual and all appliance data at hand**
- **Easy access to Bosch Home Appliances Service**

Free and easy registration – also on mobile phones:

www.bosch-home.com/welcome



Looking for help? You 'll find it here.

Expert advice for your Bosch home appliances, need help with problems or a repair from Bosch experts.

Find out everything about the many ways Bosch can support you:

www.bosch-home.com/service

Contact data of all countries are listed in the attached service directory.

Bosch Home Appliance Group

P.O. Box 83 01 01

D-81701 Munich

Germany

www.bosch-home.com



8001033125 (9903)

en, el, uk, hu, sl