

# SUBLINE500UK5, SUBLINE500UGK5, SUBLINE500UWK5

**BLANCO**



## Model Code

SUBLINE500UK5 - Anthracite  
SUBLINE500UGK5 - Rock grey  
SUBLINE500UWK5 - White

## Description

Single bowl undermount sink

## Optional Accessories

SUBLINEBK      BDRAINP      ANDCUTGCB  
SUBLINECOLSS      BWCB      CAPFLOW  
FLOATGSS

## Warranty

30 year warranty



**Hygiene + Plus**

## Features

## Benefits

Engineered In Germany

Elegant SILGRANIT™ design impresses with its timeless, straight lined bowl geometry which will suit all types of kitchen products and worktops.

Durability

SILGRANIT™ PuraDur™ consists of 80% granite, which makes it unbeatably resilient, extremely durable, scratch resistant, heat resistant, unbreakable and acid resistant.

Hygiene + Plus™

A patented formula that acts as a shield against dirt and bacteria. This hygiene protection reduces bacteria growth by an average of 98%.

Maximum Bowl Size

Due to the smallest possible radii of 10mm it allows for a large sink area and a modern classy look.

Designer Wastes

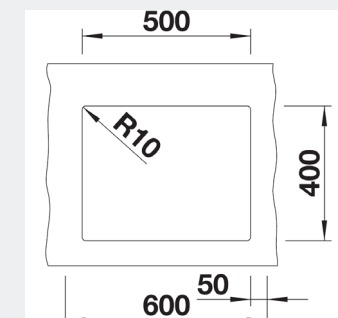
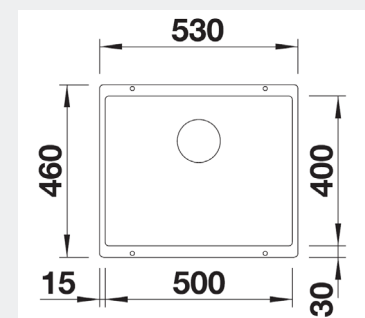
No additional costs after purchase.

Rear Waste Position

Increases your storage space below the sink.



## Specifications



Method of Installation:	Undermount
Overall Dimensions:	530w x 460d x 190hmm
Cut-out Dimensions:	500w x 400d (refer to CAD drawing on the website for corner radii)
Colour:	Available in Anthracite, Rock grey, White
Bowl Capacity:	38 Litres
Standard Inclusion:	Designer Waste
Integrated Overflow:	Yes
Warranty:	30 years
Mounting hole:	Ø35 mm tap hole required

Note: Measurements are within 2 - 3mm of factory tolerance. It is advisable to check dimensions of physical product when measuring for installations and before doing any cut outs.

\*Due to continual product development the information provided is not final and may be subject to change.